



Gianni Ferrari

GTM-GSM



CATALOGO PARTI DI RICAMBIO

CATALOGUE PIECES DETACHEES

SPARE PARTS CATALOGUE

TERSATZTEILKATALOG



COMPOSIZIONE CODICE D'ORDINE

NUMERO DI MATRICOLA ALFANUMERICO DEL TELAIO + CODICE PARTICOLARE DI RICAMBIO

COMPOSITION OF THE ORDER CODE

ALPHANUMERICAL SERIAL NUMBER OF THE FRAME + CODE NUMBER OF THE SPARE PART

COMPOSITION DU CODE DE L'ORDRE

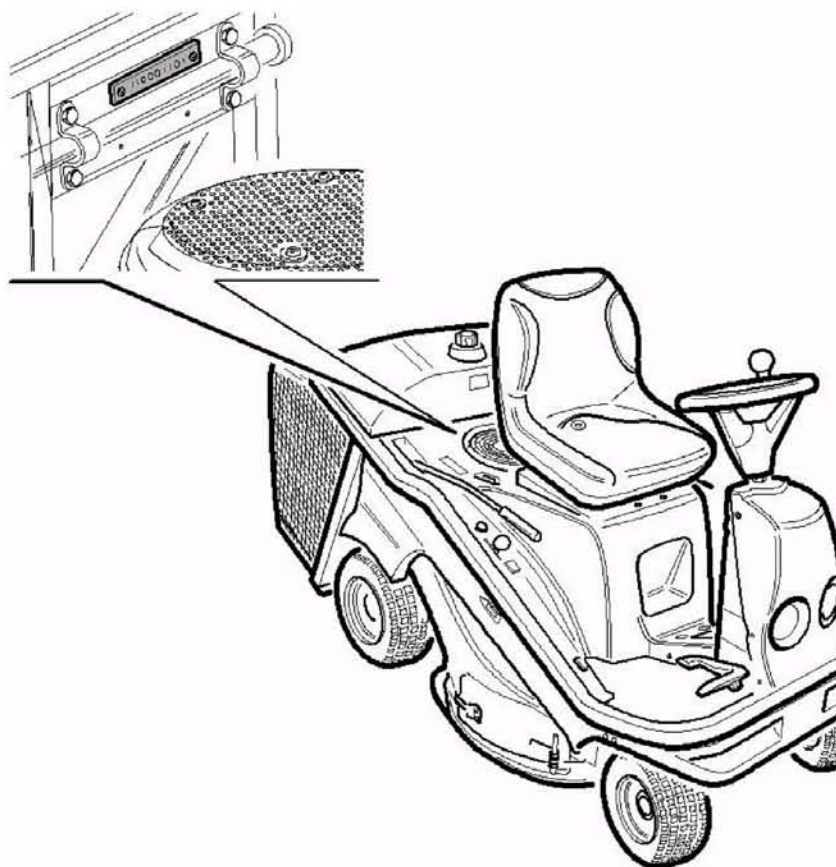
NUMÉRO DE SÉRIE ALPHANUMÉRIQUE DU CHÂSSIS + CODE AU PIÉCE DE RECHANGE

AUFBAU DES BESTELLKODI

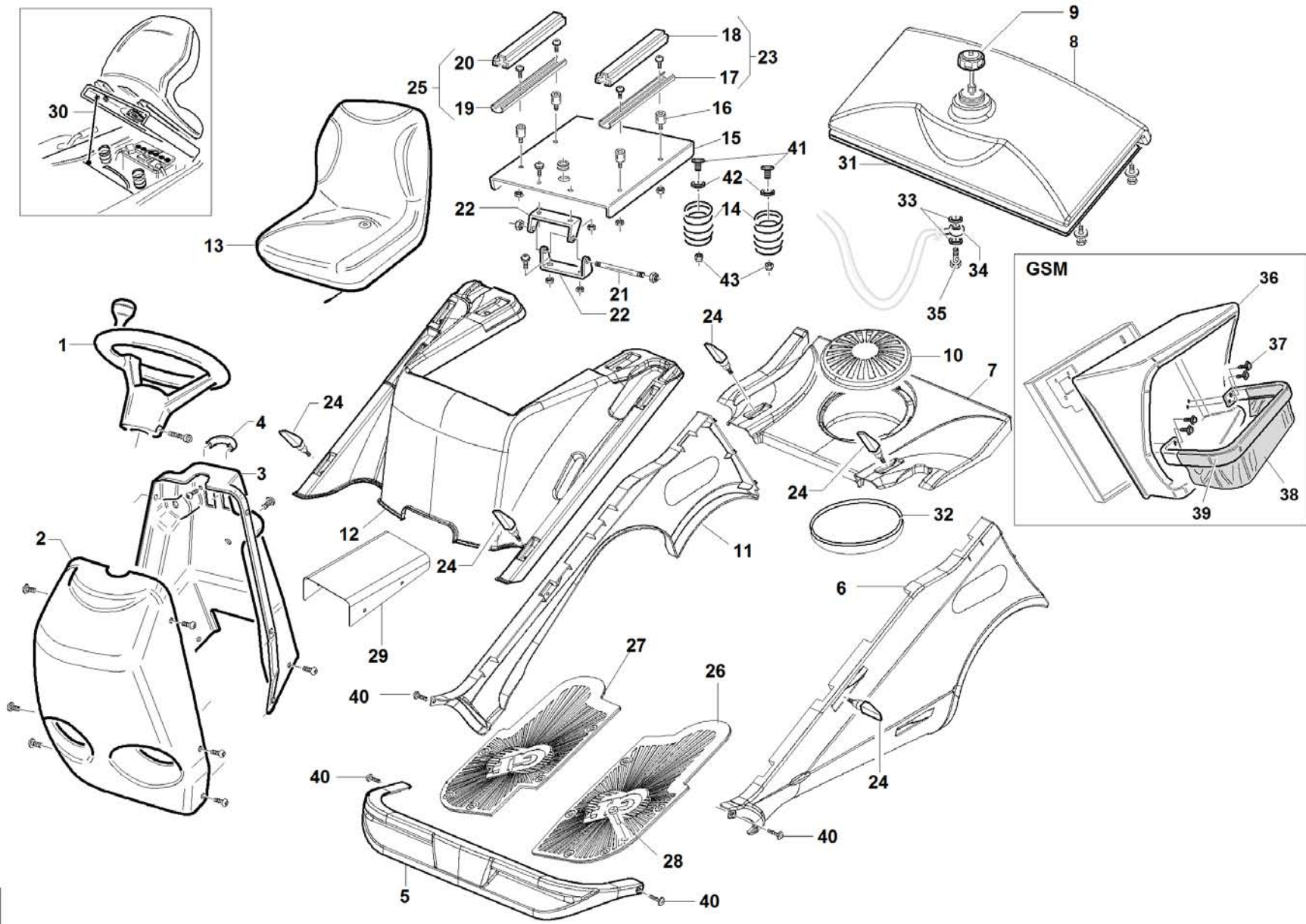
ALPHANUMERISCHE SERIENNUMMER DES GERÜSTES + HINWEIS AUF DAS C

99999999XXX

NUMERO DI MATRICOLA ALFANUMERICO DEL TELAIO
ALPHANUMERICAL SERIAL NUMBER OF THE FRAME
NUMÉRO DE SÉRIE ALPHANUMÉRIQUE DU CHÂSSIS
ALPHANUMERISCHE SERIENNUMMER DES GERÜSTES



GTM-GSM

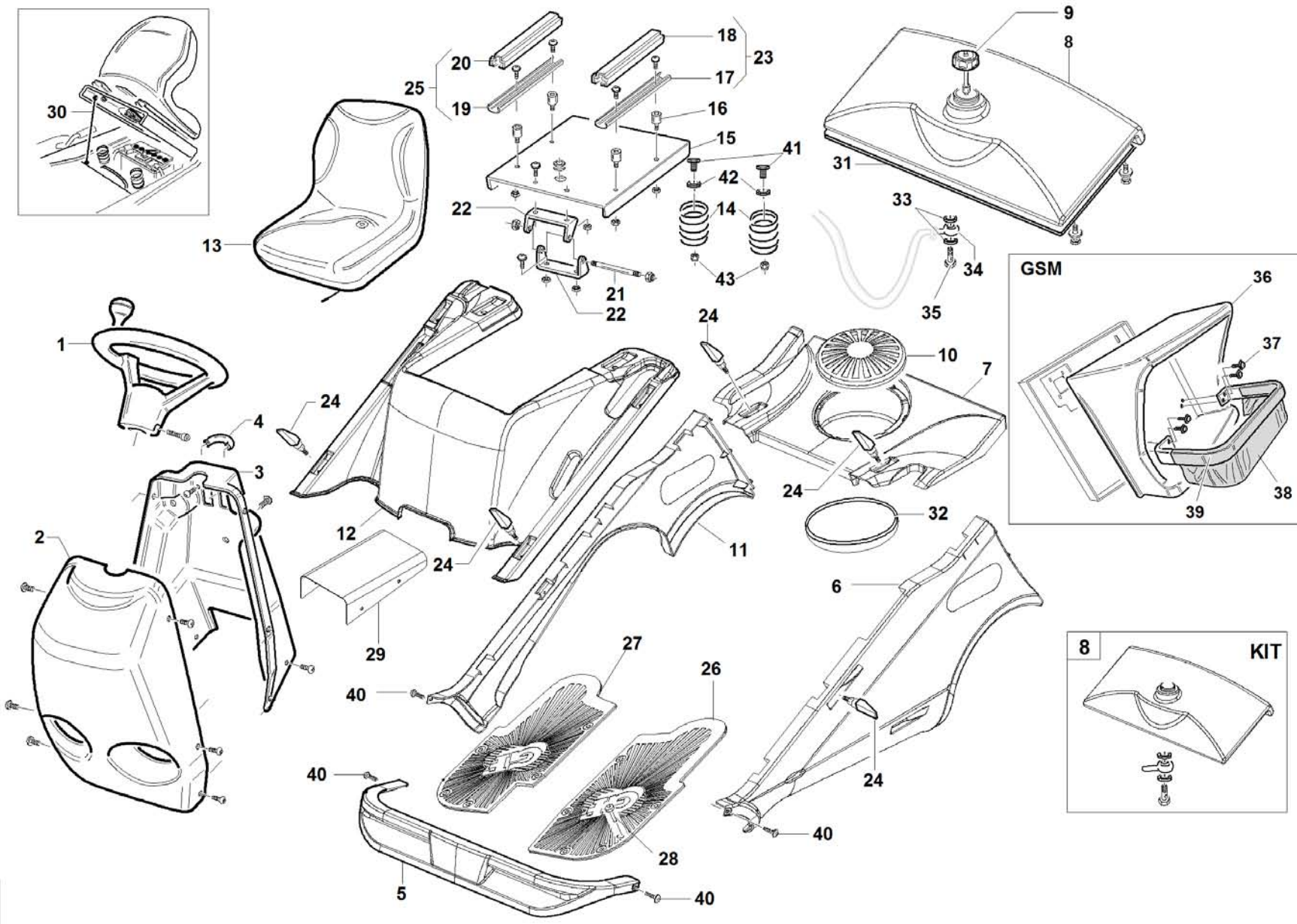


S/N
→1211006

REF.01 - 00555501263

#	P/N	DESCRIPTION	GTM-GSM	REF. 01 - 00555501263
1	00111970209	STEERING WHEEL W/BUSHING		
2	94500000084	FRONT DASHBOARD RAL 3002		
3	94500000107	REAR DASHBOARD		
4	00111990088	WHITE HANDLE		
5	89001100005	GTM FRONT DASHBOARD		
6	89001101300	LEFT SIDE ASSEMBLED BODY		
7	89001101100	ENGINE BODY		
8	89001110001	FUEL TANK		
9	00111970199	TANK PLUG WITH LEVEL		
10	00111970153	ENGINE-EXHAUST GRID		
11	89001101200	RIGHT SIDE ASSEMBLED BODY		
12	89001101000	ASSEMBLED BOY		
13	00777850035	GTM SEAT		
14	89001000045	SPRING. De=38.1 L=75 FILO=4.8 ZNT		
15	89001000033	SEAT SUPPORT		
16	92002100006	SPACER Ø12X20 H=18.3 ZNT		
17	00777850026			
18	00777850036	UPPER RIGHT SEAT GUIDE		
19	00777850025			
20	00777850037	UPPER LEFT SEAT GUIDE		
21	94500000066	HOOD HINGE PIN		
22	95500000003	SEAT SUPPORT HINGE		
23	00777850038	SEAT RIGHT GUIDE PAIR		
24	00111970196	FASTENING DEVICE		
25	00777850039	SEAT LEFT GUIDE PAIR		
26	89001000005	LEFT FOOTBOARD		
27	89001000004	RIGHT FOOTBOARD		
28	00111970169	CLOSER PLUG D. 10.5		
29	89001000027	TUNNEL		
30	89001000050	CABLE		
31	00555300005			
32	95599000087			
33	00777600003	WASHER COPPER 3/8		
34	00777600142	METAL EYELET 3/8-1/4		
35	00777600041	EMPTY SCREW 3/8		
36	88001000001			
37	00111450025			
38	88001000021			
39	88001130000			
40	00111450014	SCREW FR M6X12		
41	00111000076	SCREW TE M10X25		
42	00111000015	WASHER D.10,5X21X2		
43	00111250004	SELF BL. NUT M10		

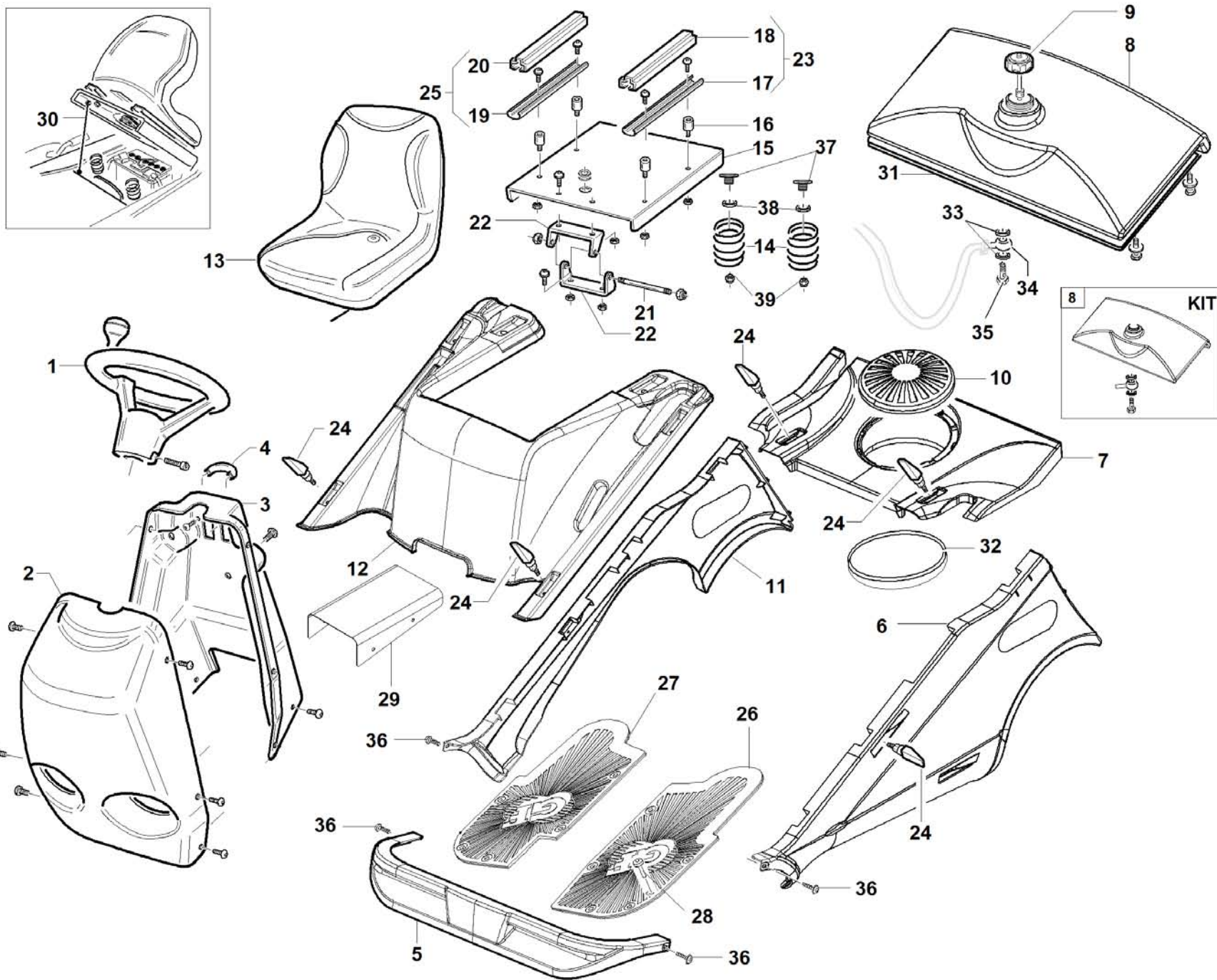
GTM-GSM



S/N
 → 0911131 ÷ 1211005 ←

REF.01 - 00555501613

1	00111970209	STEERING WHEEL W/BUSHING		
2	94500000084	FRONT DASHBOARD RAL 3002		
3	94500000107	REAR DASHBOARD		
4	00111990088	WHITE HANDLE		
5	89001100005	GTM FRONT DASHBOARD		
6	89001101300	LEFT SIDE ASSEMBLED BODY		
7	89001101100	ENGINE BODY		
8	95598520000	GTM TANK SPARE PARTS KIT		
9	00111970199	TANK PLUG WITH LEVEL		
10	00111970153	ENGINE-EXHAUST GRID		
11	89001101200	RIGHT SIDE ASSEMBLED BODY		
12	89001101000	ASSEMBLED BOY		
13	00777850035	GTM SEAT		
14	89001000045	SPRING. De=38.1 L=75 FILO=4.8 ZNT		
15	89001000033	SEAT SUPPORT		
16	92002100006	SPACER Ø12X20 H=18.3 ZNT		
17	00777850026			
18	00777850036	UPPER RIGHT SEAT GUIDE		
19	00777850025			
20	00777850037	UPPER LEFT SEAT GUIDE		
21	94500000066	HOOD HINGE PIN		
22	95500000003	SEAT SUPPORT HINGE		
23	00777850038	SEAT RIGHT GUIDE PAIR		
24	00111970196	FASTENING DEVICE		
25	00777850039	SEAT LEFT GUIDE PAIR		
26	89001000005	LEFT FOOTBOARD		
27	89001000004	RIGHT FOOTBOARD		
28	00111970169	CLOSER PLUG D. 10.5		
29	89001000027	TUNNEL		
30	89001000050	CABLE		
31	00555300005			
32	95599000087			
33	00777600003	WASHER COPPER 3/8		
34	00777600142	METAL EYELET 3/8-1/4		
35	00777600041	EMPTY SCREW 3/8		
36	88001000001			
37	00111450025			
38	88001000021			
39	88001130000			
40	00111450014	SCREW FR M6X12		
41	00111000076	SCREW TE M10X25		
42	00111000015	WASHER D.10,5X21X2		
43	00111250004	SELF BL. NUT M10		



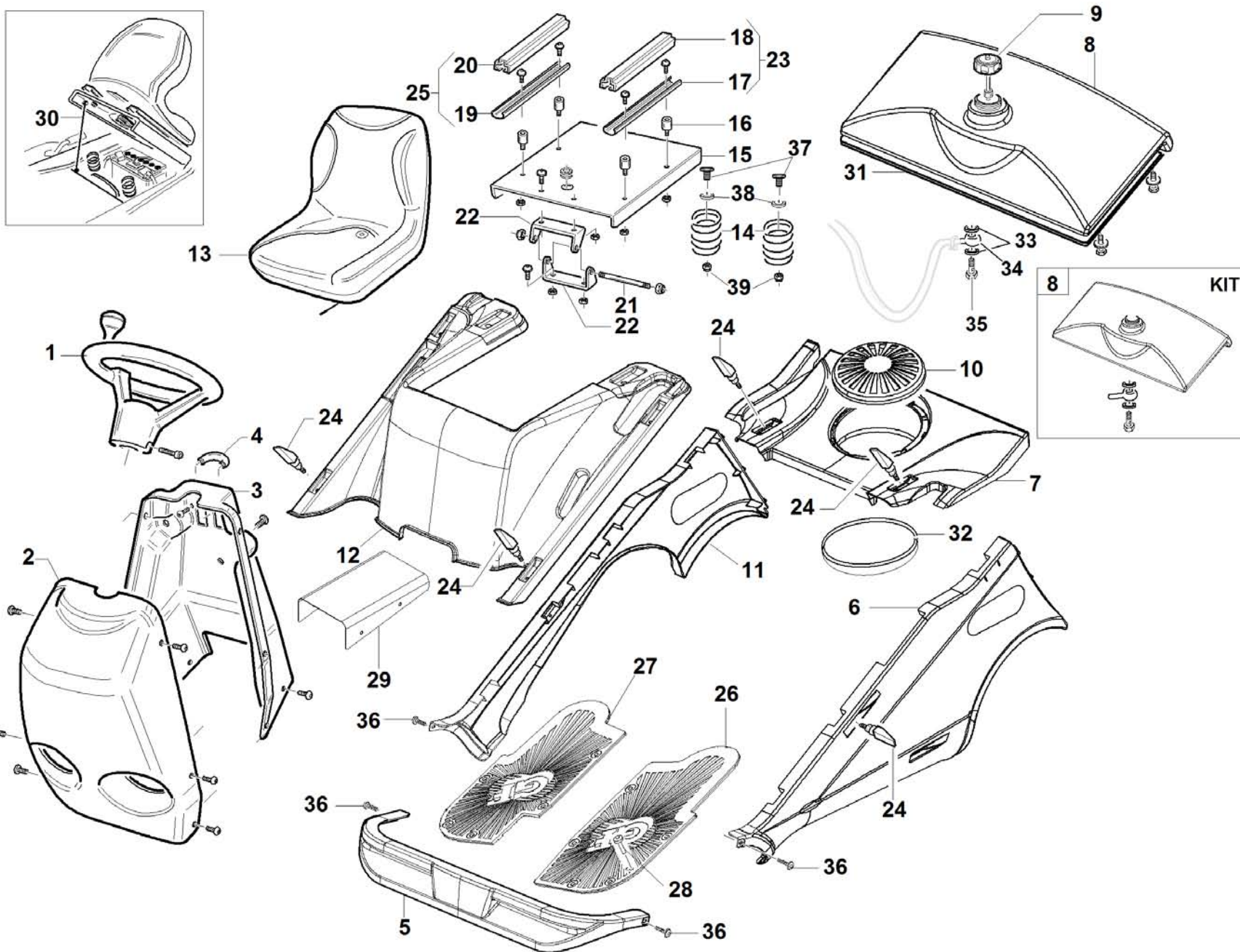
S/N

→ 0910048 ÷ 0911130 ←

REF.01 - 00555501612

#	P/N	DESCRIPTION	GTM-GSM
1	00111970200	STEERING WHEEL GTS	
2	94500000084	FRONT DASHBOARD RAL 3002	
3	94500000107	REAR DASHBOARD	
4	00111990088	WHITE HANDLE	
5	89001100005	GTM FRONT DASHBOARD	
6	89001101300	LEFT SIDE ASSEMBLED BODY	
7	89001101100	ENGINE BODY	
8	95598520000	GTM TANK SPARE PARTS KIT	
9	00111970199	TANK PLUG WITH LEVEL	
10	00111970153	ENGINE-EXHAUST GRID	
11	89001101200	RIGHT SIDE ASSEMBLED BODY	
12	89001101000	ASSEMBLED BOY	
13	00777850035	GTM SEAT	
14	89001000045	SPRING. De=38.1 L=75 FILO=4.8 ZNT	
15	89001000033	SEAT SUPPORT	
16	92002100006	SPACER Ø12X20 H=18.3 ZNT	
17	00777850026		
18	00777850036	UPPER RIGHT SEAT GUIDE	
19	00777850025		
20	00777850037	UPPER LEFT SEAT GUIDE	
21	94500000066	HOOD HINGE PIN	
22	95500000003	SEAT SUPPORT HINGE	
23	00777850038	SEAT RIGHT GUIDE PAIR	
24	00111970196	FASTENING DEVICE	
25	00777850039	SEAT LEFT GUIDE PAIR	
26	89001000005	LEFT FOOTBOARD	
27	89001000004	RIGHT FOOTBOARD	
28	00111970169	CLOSER PLUG D. 10.5	
29	89001000027	TUNNEL	
30	89001000050	CABLE	
31	00555300005		
32	95599000087		
33	00777600003	WASHER COPPER 3/8	
34	00777600142	METAL EYELET 3/8-1/4	
35	00777600041	EMPTY SCREW 3/8	
36	00111450014	SCREW FR M6X12	
37	00111000076	SCREW TE M10X25	
38	00111000015	WASHER D.10,5X21X2	
39	00111250004	SELF BL. NUT M10	

GTM-GSM

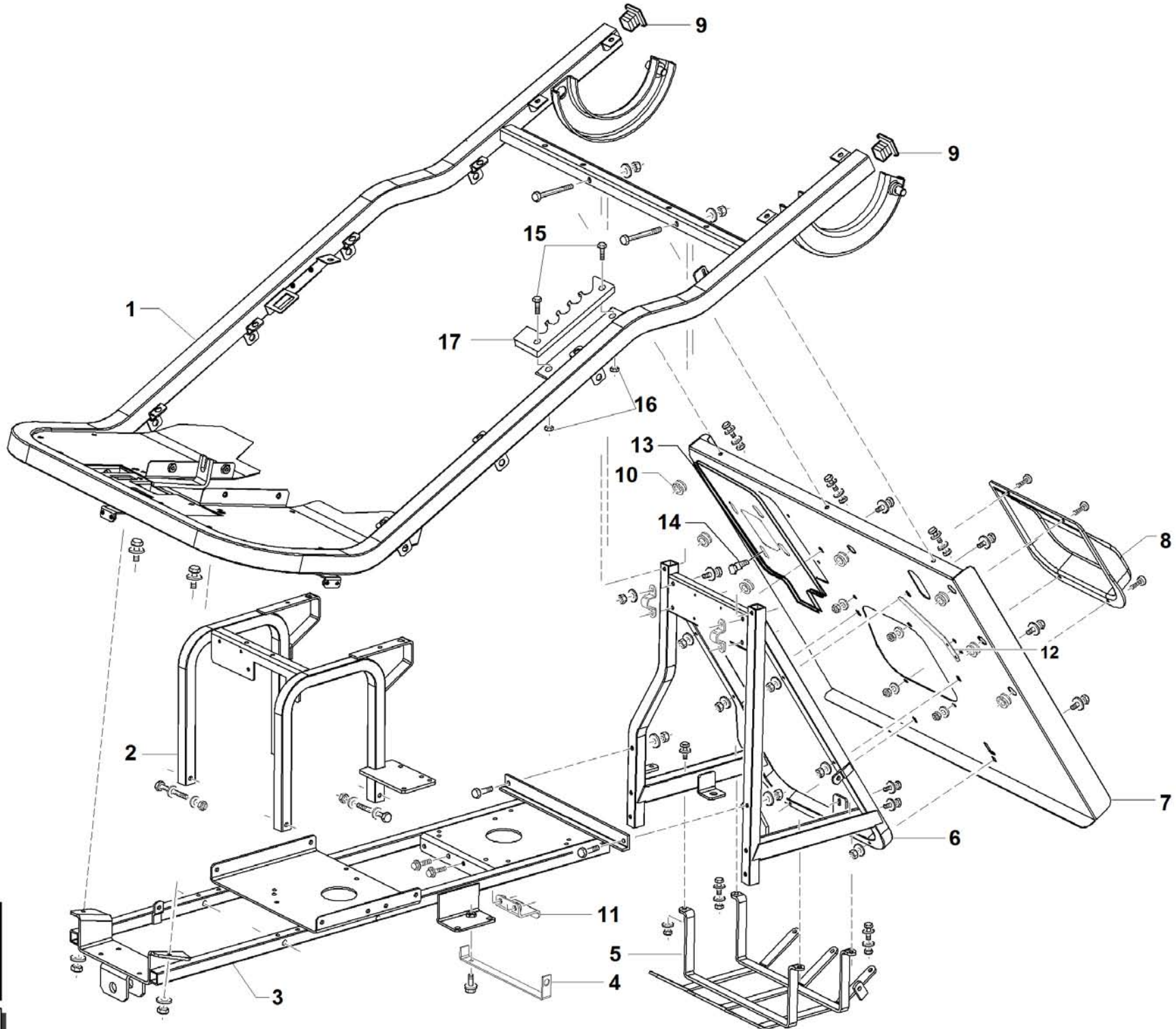


S/N

→ 0907001 ÷ 0910047 ←

REF.01 - 00555501601

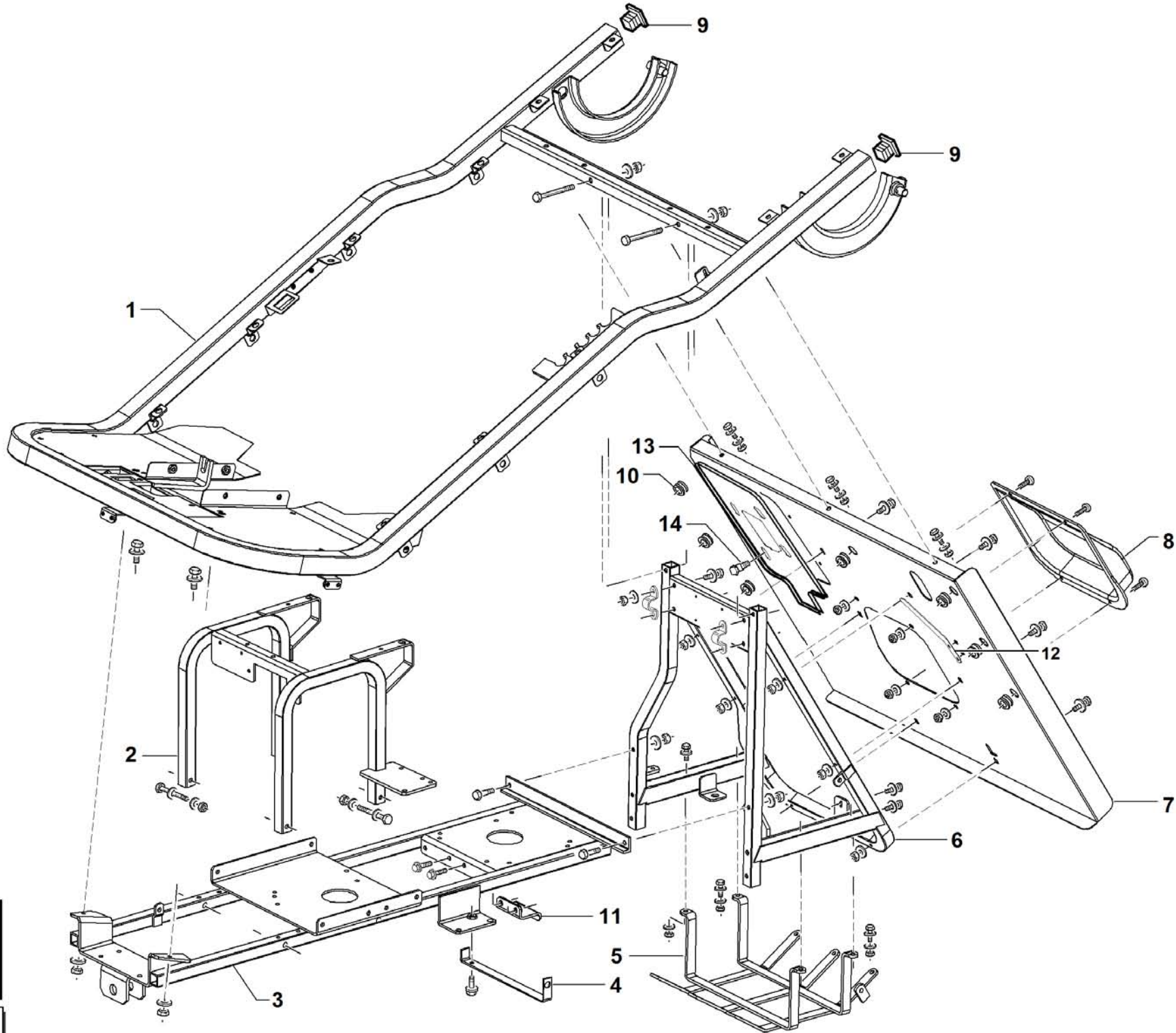
1	00111970200	STEERING WHEEL GTS		
2	94500000084	FRONT DASHBOARD RAL 3002		
3	94500000107	REAR DASHBOARD		
4	00111990088	WHITE HANDLE		
5	89001100005	GTM FRONT DASHBOARD		
6	89001101300	LEFT SIDE ASSEMBLED BODY		
7	89001101100	ENGINE BODY		
8	95598520000	GTM TANK SPARE PARTS KIT		
9	00111970199	TANK PLUG WITH LEVEL		
10	00111970153	ENGINE-EXHAUST GRID		
11	89001101200	RIGHT SIDE ASSEMBLED BODY		
12	89001101000	ASSEMBLED BOY		
13	00777850035	GTM SEAT		
14	89001000045	SPRING. De=38.1 L=75 FILO=4.8 ZNT		
15	89001000033	SEAT SUPPORT		
16	92002100006	SPACER Ø12X20 H=18.3 ZNT		
17	00777850026			
18	00777850036	UPPER RIGHT SEAT GUIDE		
19	00777850025			
20	00777850037	UPPER LEFT SEAT GUIDE		
21	94500000066	HOOD HINGE PIN		
22	95500000003	SEAT SUPPORT HINGE		
23	00777850038	SEAT RIGHT GUIDE PAIR		
24	00111970196	FASTENING DEVICE		
25	00777850039	SEAT LEFT GUIDE PAIR		
26	89001000005	LEFT FOOTBOARD		
27	89001000004	RIGHT FOOTBOARD		
28	00111970169	CLOSER PLUG D. 10.5		
29	89001000027	TUNNEL		
30	89001000050	CABLE		
31	00555300005			
32	95599000087			
33	00777600001	WASHER COPPER 1/4		
34	00777600183	METAL EYELET 1/4		
35	00777600040	SIMPLE CABLE BOLT		
36	00111450014	SCREW FR M6X12		
37	00111000076	SCREW TE M10X25		
38	00111000015	WASHER D.10,5X21X2		
39	00111250004	SELF BL. NUT M10		



S/N
→ **1302045**

REF.02 - 00555501262

#	P/N	DESCRIPTION	GTM-GSM
1	89001280000	EXTERNAL FRAME	
2	89001310000	SEAT SUPPORT	
3	89001260000	FRONT INTERNAL FRAME	
4	89001000031	LEFT BODY SUPPORT	
5	89001300000	TRANSAXLE PROTECTION	
6	89001270000	REAR INTERNAL FRAME	
7	89001000024	REAR CLOSER PLATE	
8	89001000056	REAR COVER	
9	00111970206	SQUARE PLUG 40x40	
10	00111970204	CABLE HOLDER D.I. 14 (81320)	
11	89001360000	CLUTCH LOCK	
12	89001000044	HOPPER MICRO SPRING	
13	89001000038	SLIDING BULKHEAD	
14	89001000022	BUMPER PIN	
15	00111000076	SCREW TE M10X25	
16	00111250004	SELF BL. NUT M10	
17	89001000059		

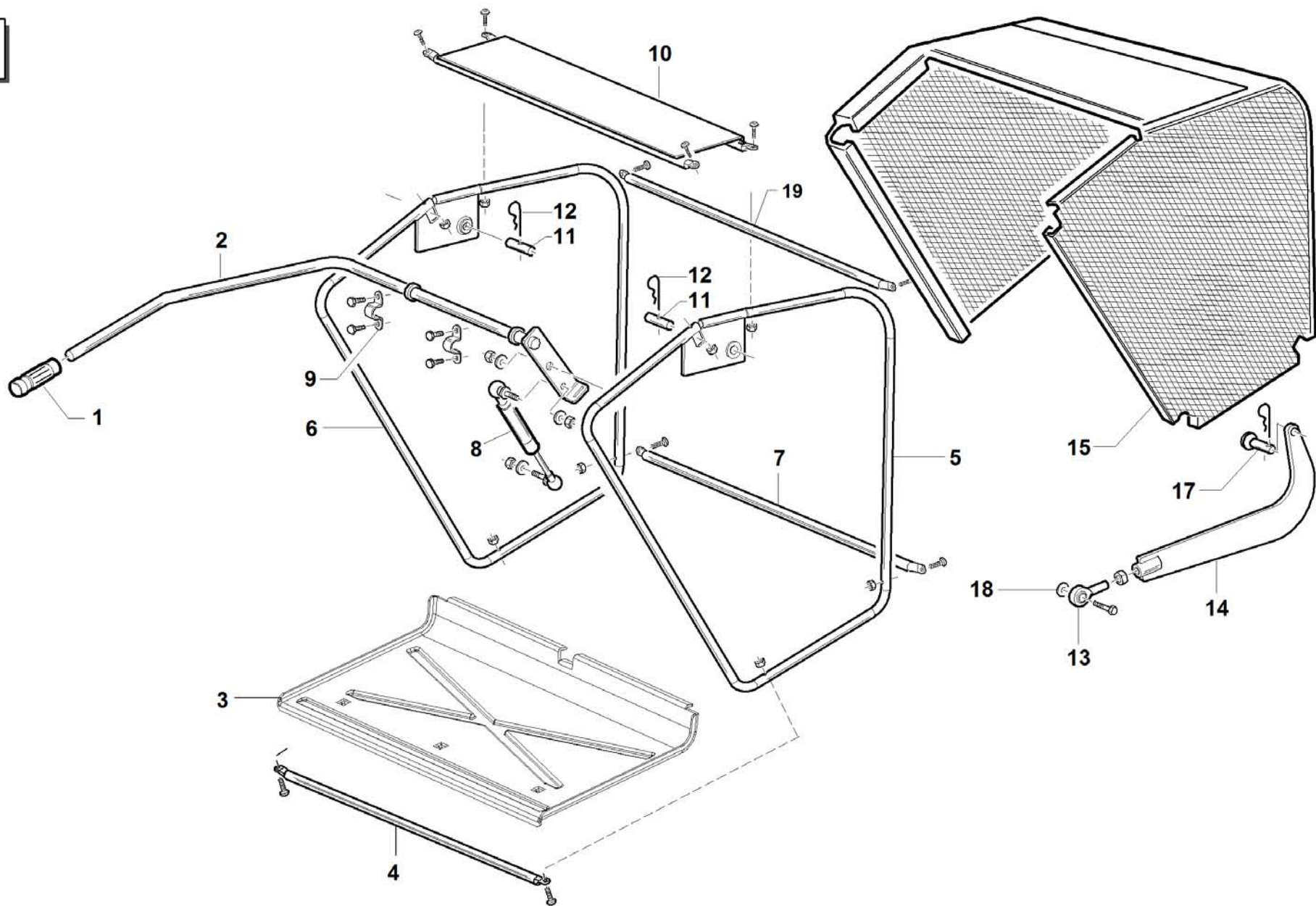


S/N

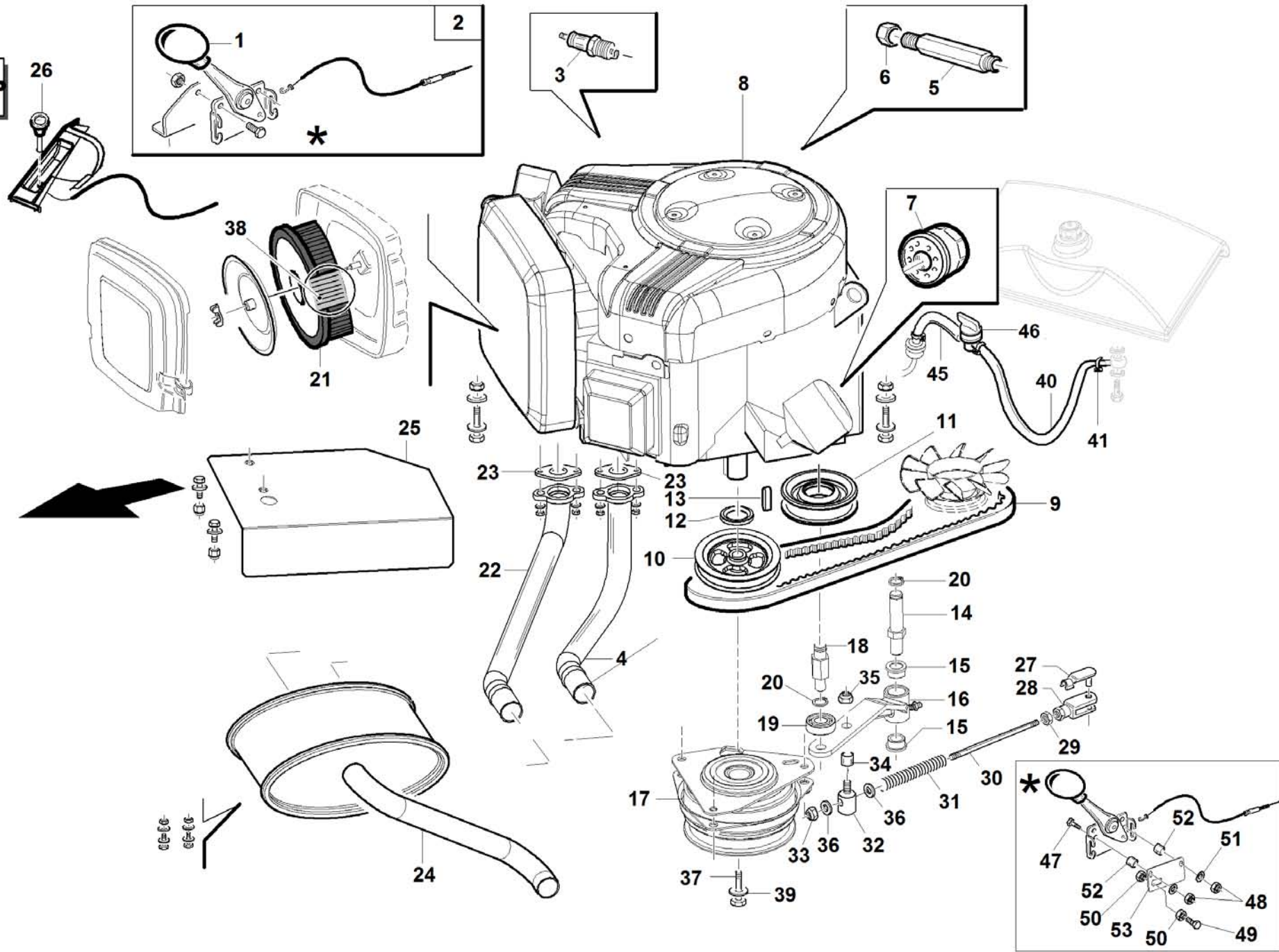
→ 0907001 ÷ 1302044 ←

REF.02 - 00555501602

#	P/N	DESCRIPTION	GTM-GSM
1	89001280000	EXTERNAL FRAME	
2	89001310000	SEAT SUPPORT	
3	89001260000	FRONT INTERNAL FRAME	
4	89001000031	LEFT BODY SUPPORT	
5	89001300000	TRANSAXLE PROTECTION	
6	89001270000	REAR INTERNAL FRAME	
7	89001000024	REAR CLOSER PLATE	
8	89001000056	REAR COVER	
9	00111970206	SQUARE PLUG 40x40	
10	00111970204	CABLE HOLDER D.I. 14 (81320)	
11	89001360000	CLUTCH LOCK	
12	89001000044	HOPPER MICRO SPRING	
13	89001000038	SLIDING BULKHEAD	
14	89001000022	BUMPER PIN	



#	P/N	DESCRIPTION	GTM
1	00111970205	HANDGRIP	
2	89001560000	COLLECTOR LEVER	
3	89001000032	HOPPER COVER	
4	89001150001	COLLECTOR CROSS TUBE	
5	89001460000	LEFT SIDE COLLECOTR FRAME	
6	89001470000	RIGHT SIDE COLLECOTR FRAME	
7	89001000009	REAR CROSS ARM	
8	00111990126	GAS SPRING STABILUS 083631 F=700 N	
9	89001000003	BRACKET	
10	89001150000	CROSS ARM	
11	89001000020	COLLECTOR ROTATION PIN	
12	00111000175	"PIN ""R"" D.4"	
13	00777200016	BIG END OF THE CONNECTING ROD TM14	
14	89001520000	HOPPER DISCHARGE ROD	
15	89001000049	GTM HOPPER GRID	
17	89001000035	TIE ROD PIN	
18	89001000046	SPACER Ø14XØ20X5	
19	89001000007	LOWER CROSS ARM	



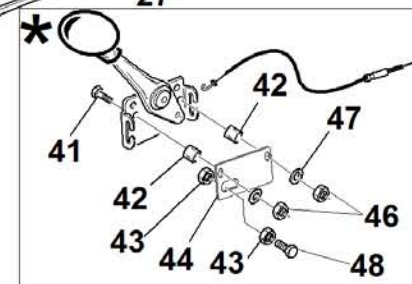
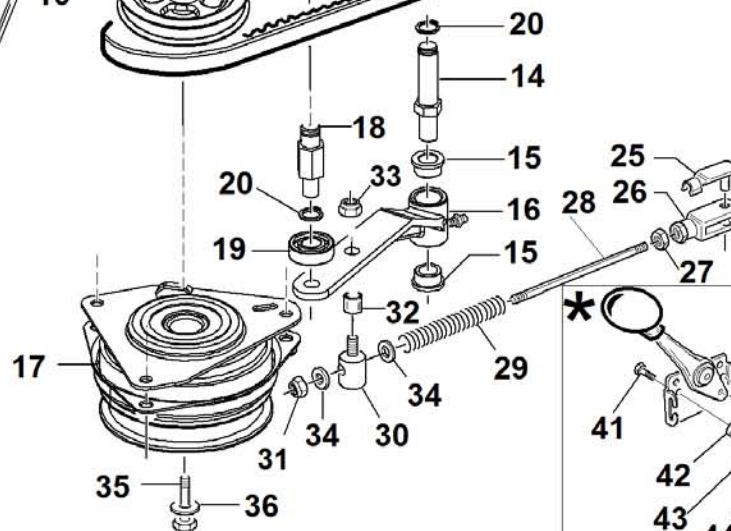
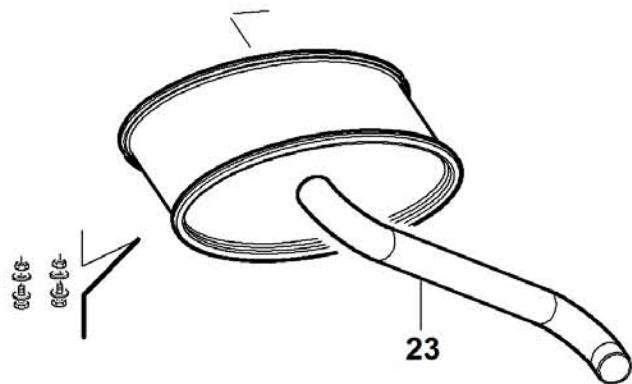
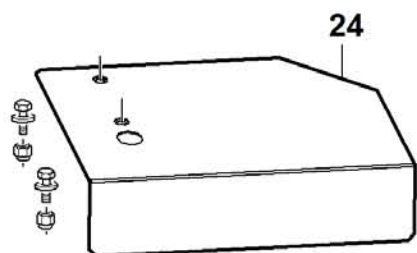
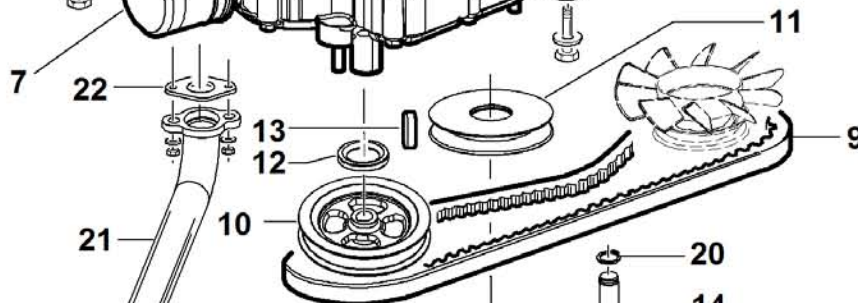
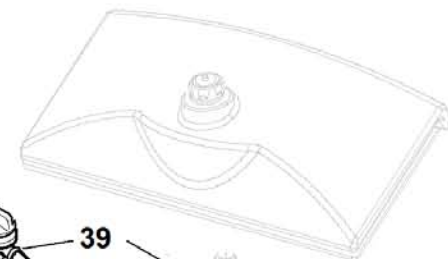
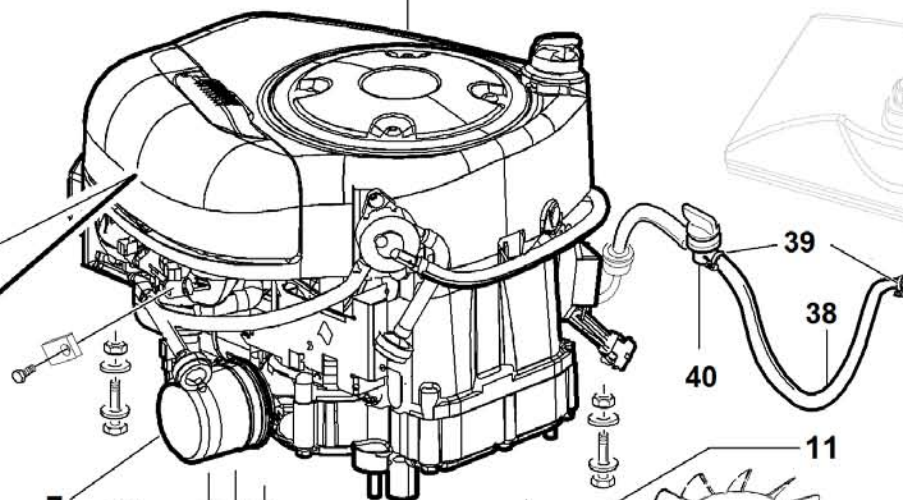
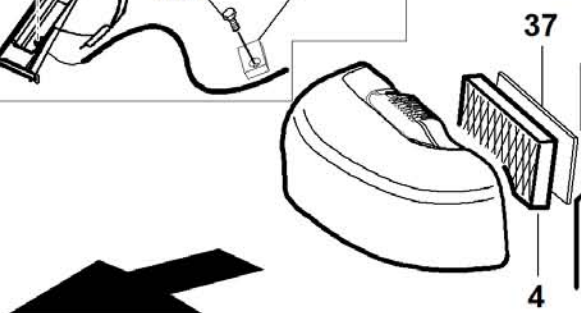
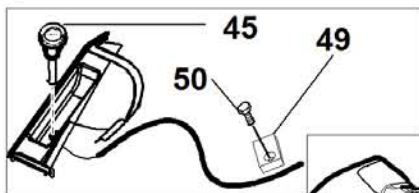
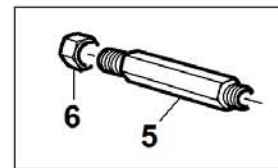
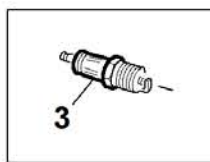
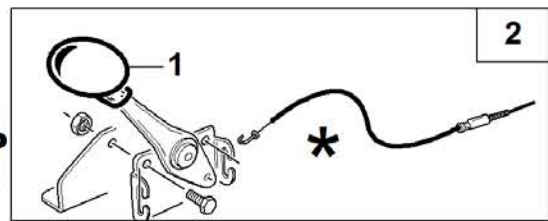
#

P/N

DESCRIPTION

GTM-GSM_B&S16HP REF. 04 - 00555501604

1	00111610004	BLACK ACCELERATOR LEVER
2	94500860000	THROTTLE LEVER WITH CABLE
3	00777750001	SPARK PLUG 491055
4	89001510003	SX EXHAUST COLLECTOR
5	89001000048	OIL RELIEF EXTENSION
6	00777600170	ROTATING CAP 3/8
7	00777650001	OIL FILTER 9/18 HP
8	00777700032	B&S 16HP TWIN-CYLINDER ENGINE
9	00111980036	BELT GATES XPA 1060
10	89001000010	ENGINE PULLEY
11	94500000011	HYDROSTATIC TIGHTENER
12	89001000016	SPACER Ø40xØ25.4x5.25 ZNT
13	00111900023	TONGUE 1/4X1/4X39
14	94500000018	THIGHTENER PIN
15	95001000060	BRASS BUSHING
16	94500190000	TIGHTENER BELT LEVER
17	00777803300	OGURA ELECTRIC CLUTCH
18	95311110001	TIGHTENER PIN
19	00777100005	KOYO BEARING 6202 2RS
20	00111650004	SNAP RING D.15 E
21	00777650003	B&S 16HP PRE-FILTER
22	89001510002	DX EXHAUST COLLECTOR
23	00111990009	EXHAUST GASKET
24	89001510001	EXHAUST
25	89001490000	EXHAUST PROTECTION COMPL.
26	92001000029	STARTER CABLE
27	00777180001	FORKED PIN D.8
28	00777180002	FORK IN M8
29	00111000082	NUT M8
30	89001000036	LEVER STAFF BELT TIGHTENER
31	89001000042	SPRING De=12.5 L=50 FILO=1.1
32	94010820000	SPRING TENSION DRILL ROD
33	00111000071	SELF BLO. NUT M8
34	00111530009	BUSHING FRIMET Ø10X7 TFF1007
35	00111000080	SELF BLO. SCREW M10
36	00111000087	WASHER P.8,4X15.6X1,5
37	00111300056	SCREW TE 7/16-20 L=60
38	00777650002	AIR FILTER CARTRIDGE
39	89001000017	CLUTCH FIXING WASHER
40	89003000001	
41	00111810010	CLAMP 10-16 TYPE NORMA
45	89003000002	
46	00111970203	FUEL TAP
47	00111300024	SCREW TE M4X35
48	00111250006	SELF BL. NUT M4
49	00111000137	SCREW TE M6X25
50	00111000155	NUT M6
51	00111500010	WASHER 4.3X9X0.8
52	89001000061	
53	89001000060	



#

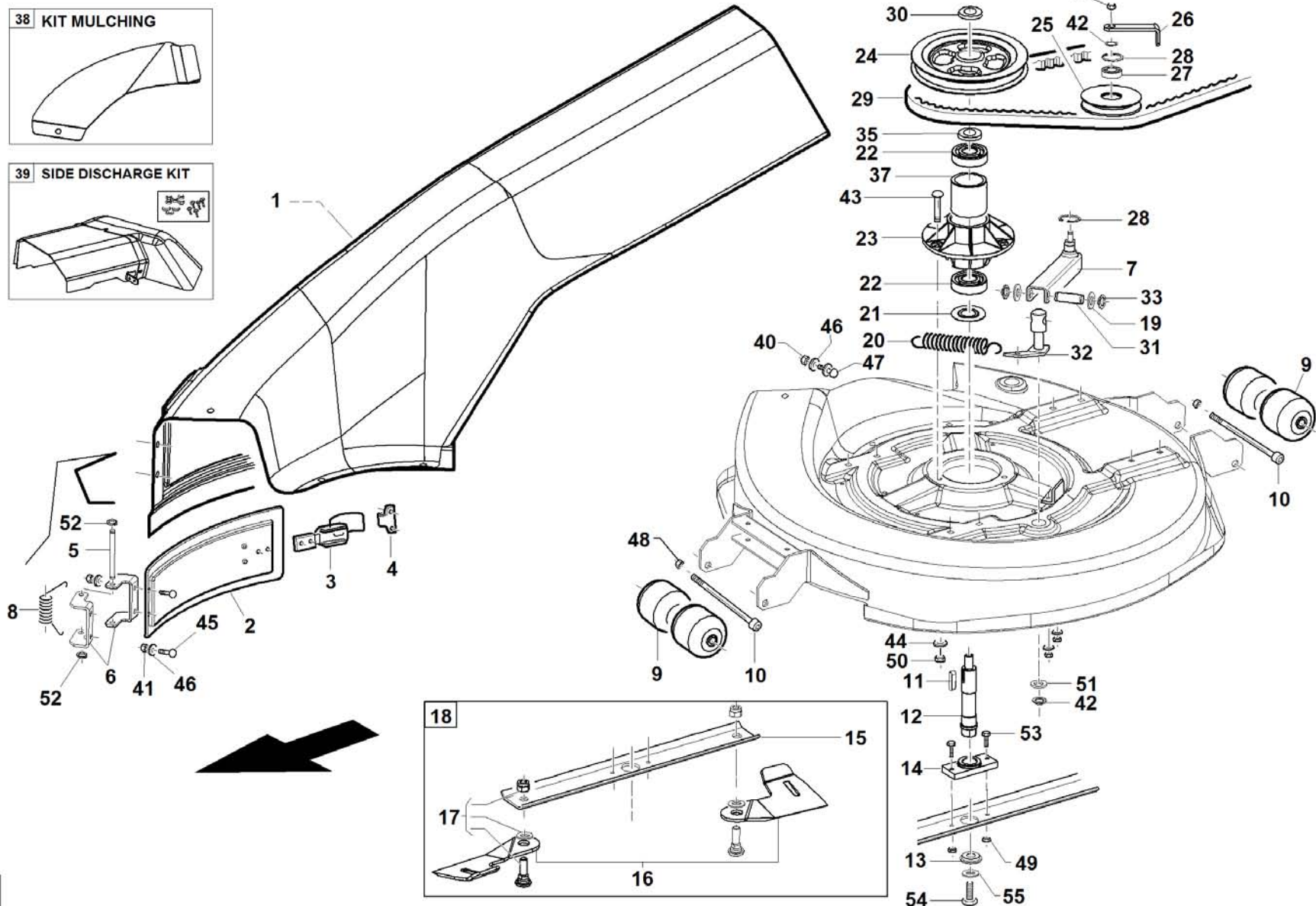
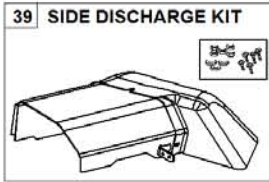
P/N

DESCRIPTION

GTM-GSM_B&S15,5HPREF. 05 - 00555501605

1	00111610004	BLACK ACCELERATOR LEVER
2	94500860000	THROTTLE LEVER WITH CABLE
3	00777750001	SPARK PLUG 491055
4	95599000064	B&S 15,5 HP AIR FILTER
5	89001000048	OIL RELIEF EXTENSION
6	00777600170	ROTATING CAP 3/8
7	00777650001	OIL FILTER 9/18 HP
8	00777700035	B&S 15HP ENGINE
9	00111980036	BELT GATES XPA 1060
10	89001000010	ENGINE PULLEY
11	94500000011	HYDROSTATIC TIGHTENER
12	89001000016	SPACER Ø40xØ25.4x5.25 ZNT
13	00111900023	TONGUE 1/4X1/4X39
14	94500000018	THIGHTENER PIN
15	95001000060	BRASS BUSHING
16	94500190000	TIGHTENER BELT LEVER
17	00777803300	OGURA ELECTRIC CLUTCH
18	95311110001	TIGHTENER PIN
19	00777100005	KOYO BEARING 6202 2RS
20	00111650004	SNAP RING D.15 E
21	89002100001	EXHAUST COLLECTOR
22	00111990136	
23	89002100002	EXHAUST
24	89001490000	EXHAUST PROTECTION COMPL.
25	00777180001	FORKED PIN D.8
26	00777180002	FORK IN M8
27	00111000082	NUT M8
28	89001000036	LEVER STAFF BELT TIGHTENER
29	89001000042	SPRING De=12.5 L=50 FILO=1.1
30	94010820000	SPRING TENSION DRILL ROD
31	00111000071	SELF BLO. NUT M8
32	00111530009	BUSHING FRIMET Ø10X7 TFF1007
33	00111000080	SELF BLO. SCREW M10
34	00111000087	WASHER P.8,4X15.6X1,5
35	00111300056	SCREW TE 7/16-20 L=60
36	89001000017	CLUTCH FIXING WASHER
37	95599000069	PRE AIR FILTER B&S 15,5 HP
38	89002000001	
39	00111810010	CLAMP 10-16 TYPE NORMA
40	00111970203	FUEL TAP
41	00111300024	SCREW TE M4X35
42	89001000061	
43	00111000155	NUT M6
44	89001000060	
45	92001000029	STARTER CABLE
46	00111250006	SELF BL. NUT M4
47	00111500010	WASHER 4.3X9X0.8
48	00111000137	SCREW TE M6X25
49	89001000062	
50	00111370009	

GTM

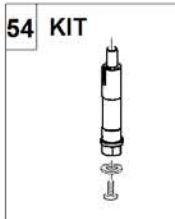
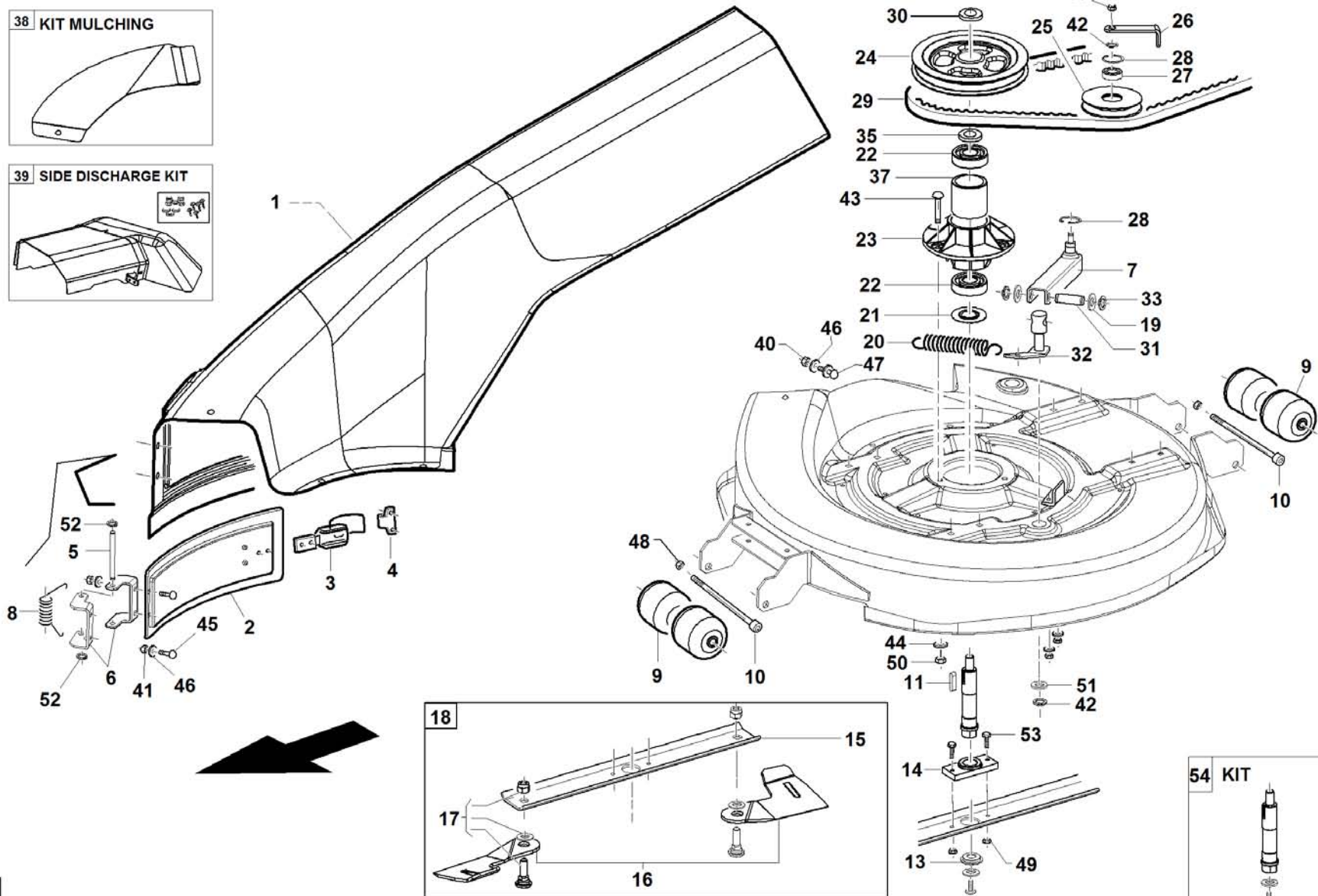
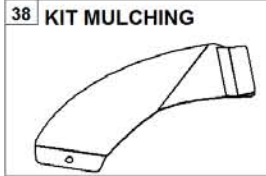


S/N
→0912058

REF.06 - 00555501255

#	P/N	DESCRIPTION	GTM
1	89001110002	TUNNEL	
2	89001410001	TUNNEL DOOR	
3	00111990128	RELEASE CLOSER	
4	00111990129	CLOSER BLOCK	
5	89001220012	TUNNEL DOOR PIN	
6	89001220011	TUNNEL DOOR HING	
7	89001380000	TIGHTENER SUPPORT	
8	89001000043	DOOR SPRING	
9	00111970082	NO SCALPING WHEEL	
10	00111300093	SCREW M12X200 8.8	
11	00111900001	TONGUE A 6X6X25	
12	89001220004	BLADE SUPPORT SHAFT	
13	89001220010	BLADE BLOCK WASHER	
14	89001220015	BLADE SUPPORT HUB	
15	89001220013	BLADES PAINTED SUPPORT	
16	91100200000	COUPLE LEFT REENTERING BLADE L=175	
17	95598440000	GTM BLADE SCREW	
18	95598450000	GTM BLADES KIT (FOR SPARE PARTS USE)	
19	00111500004	WASHER 15,2X28X2.5	
20	95001000054	BRAKE RECOVERY SPRING	
21	89001220002	BEARING PROTECTION DISC	
22	00777100007	KOYO BEARING 6305 2RS	
23	89001000006	BLADE SUPPORT	
24	89001000011	PULLEY	
25	92001000016	BELT TIGHTENER	
26	89001220001	BELT ANGULAR	
27	00777100032	KOYO BEARING 6003 2RS 17X35X10	
28	00111650005	SNAP RING D.35 I	
29	00111980041	"BELT ""OPTIBELT"" SPA 1232 SK"	
30	95097000002	SPACER 14,5X32X4	
31	89001220005	ROTATION PIN FOR TIGHTENER	
32	89001370000	TIGHTENER ROTATION BRACKET	
33	00111650014	SNAP RING D.17 E	
34	00111530006	BUSHING 15X17X12	
35	89001220016	SPACER Ø35XØ25.2X10	
36	00111000077	SELF BLO. SCREW M14	
37	89001220003	SPACER Ø35xØ26x47 ZNT	
38	89100000000		
39	89101000000		
40	00111000071	SELF BLO. NUT M8	
41	00111000061	WASHER 8.4X24X2	
42	00111650036	SNAP RING E X Ø15	
43	00111340006		
44	00111000087	WASHER P.8,4X15.6X1,5	
45	00111450020	SCREW M8 X 16	
46	00111000061	WASHER 8.4X24X2	
47	00111340005		
48	00111250008	SELF BL. NUT M12	
49	00111000166	SELF BL. SCREW M6	
50	00111000071	SELF BLO. NUT M8	
51	00111500004	WASHER 15,2X28X2.5	
52	00111650007	SNAP RING D.8 E	
53	00111000137	SCREW TE M6X25	
54	00111000121	SCREW TE M14X1,5X3 SX	
55	00111050008	SPRING WASHER Ø40XØ14.2X2	

GTM

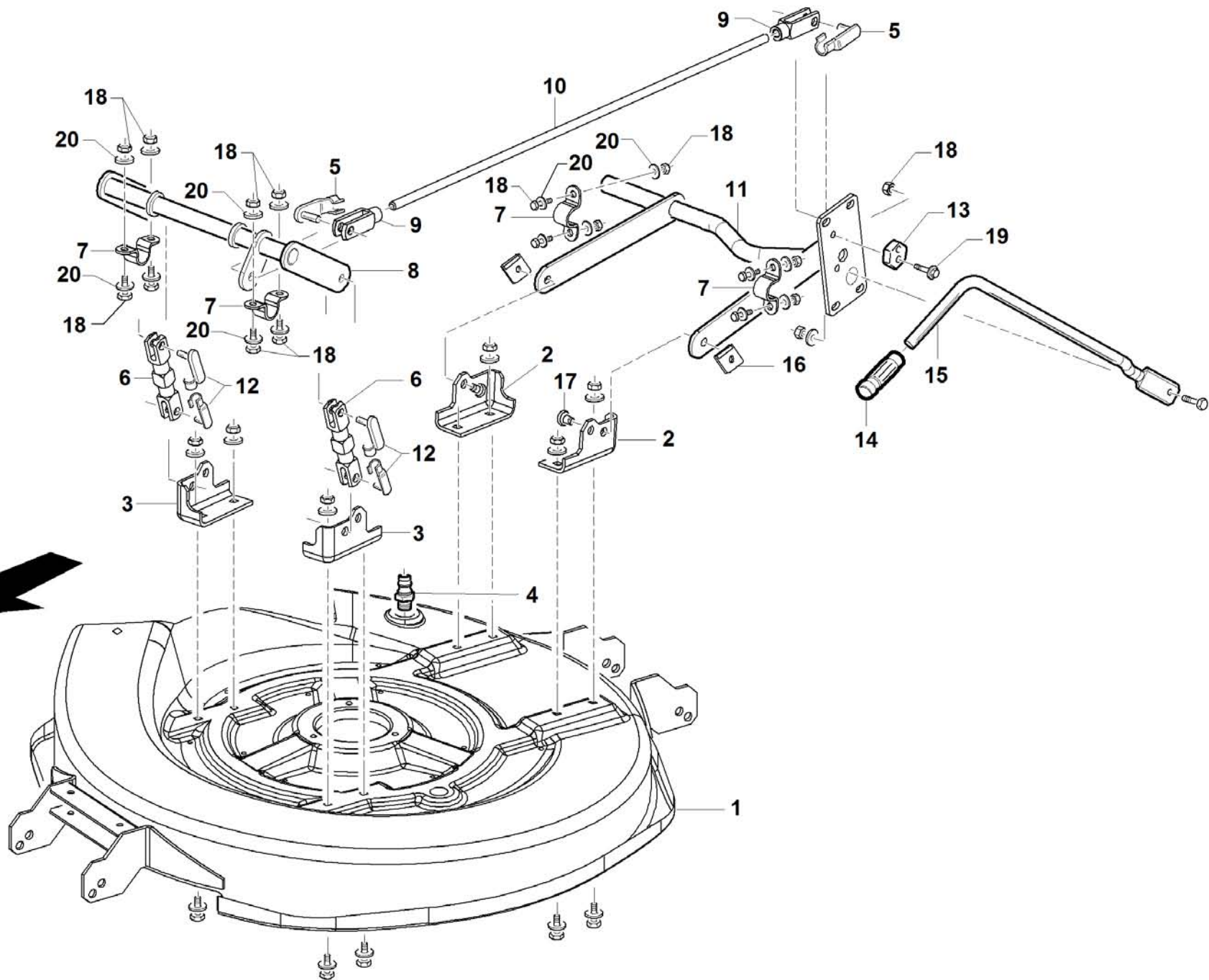


S/N

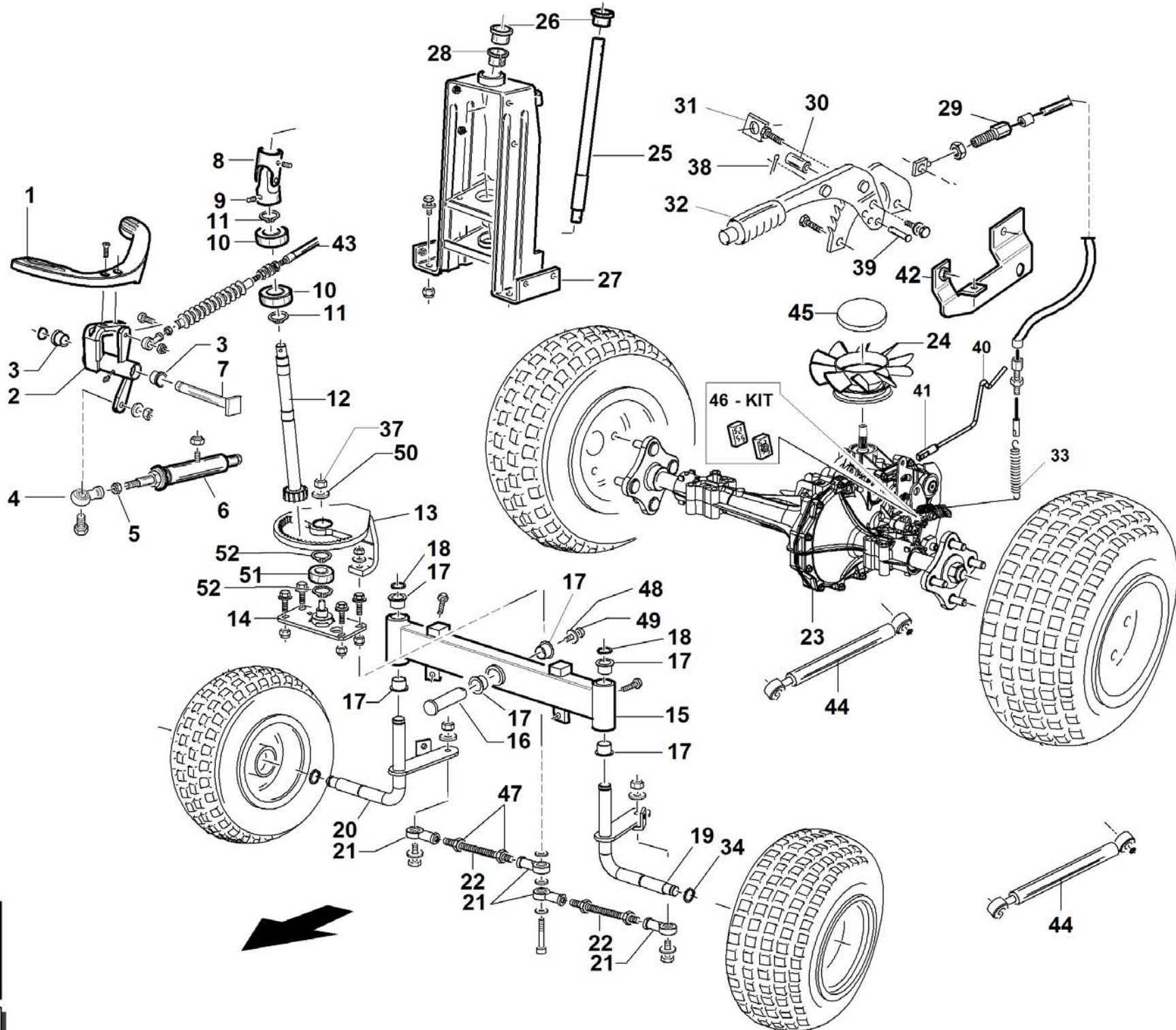
→ 0907001 ÷ 0912057 ←

REF.06 - 00555501606

#	P/N	DESCRIPTION	GTM
1	89001110002	TUNNEL	
2	89001410001	TUNNEL DOOR	
3	00111990128	RELEASE CLOSER	
4	00111990129	CLOSER BLOCK	
5	89001220012	TUNNEL DOOR PIN	
6	89001220011	TUNNEL DOOR HING	
7	89001380000	TIGHTENER SUPPORT	
8	89001000043	DOOR SPRING	
9	00111970082	NO SCALPING WHEEL	
10	00111300093	SCREW M12X200 8.8	
11	00111900001	TONGUE A 6X6X25	
13	89001220010	BLADE BLOCK WASHER	
14	89001220015	BLADE SUPPORT HUB	
15	89001220013	BLADES PAINTED SUPPORT	
16	91100200000	COUPLE LEFT REENTERING BLADE L=175	
17	95598440000	GTM BLADE SCREW	
18	95598450000	GTM BLADES KIT (FOR SPARE PARTS USE)	
19	00111500004	WASHER 15,2X28X2.5	
20	95001000054	BRAKE RECOVERY SPRING	
21	89001220002	BEARING PROTECTION DISC	
22	00777100007	KOYO BEARING 6305 2RS	
23	89001000006	BLADE SUPPORT	
24	89001000011	PULLEY	
25	92001000016	BELT TIGHTENER	
26	89001220001	BELT ANGULAR	
27	00777100032	KOYO BEARING 6003 2RS 17X35X10	
28	00111650005	SNAP RING D.35 I	
29	00111980041	"BELT ""OPTIBELT"" SPA 1232 SK"	
30	95097000002	SPACER 14,5X32X4	
31	89001220005	ROTATION PIN FOR TIGHTENER	
32	89001370000	TIGHTENER ROTATION BRACKET	
33	00111650014	SNAP RING D.17 E	
34	00111530006	BUSHING 15X17X12	
35	89001220016	SPACER Ø35XØ25.2X10	
36	00111000077	SELF BLO. SCREW M14	
37	89001220003	SPACER Ø35xØ26x47 ZNT	
38	89100000000		
39	89101000000		
40	00111000071	SELF BLO. NUT M8	
41	00111000061	WASHER 8.4X24X2	
42	00111650036	SNAP RING E X Ø15	
43	00111340006		
44	00111000087	WASHER P.8,4X15.6X1,5	
45	00111450020	SCREW M8 X 16	
46	00111000061	WASHER 8.4X24X2	
47	00111340005		
48	00111250008	SELF BL. NUT M12	
49	00111000166	SELF BL. SCREW M6	
50	00111000071	SELF BLO. NUT M8	
51	00111500004	WASHER 15,2X28X2.5	
52	00111650007	SNAP RING D.8 E	
53	00111000137	SCREW TE M6X25	
54	95597020000		



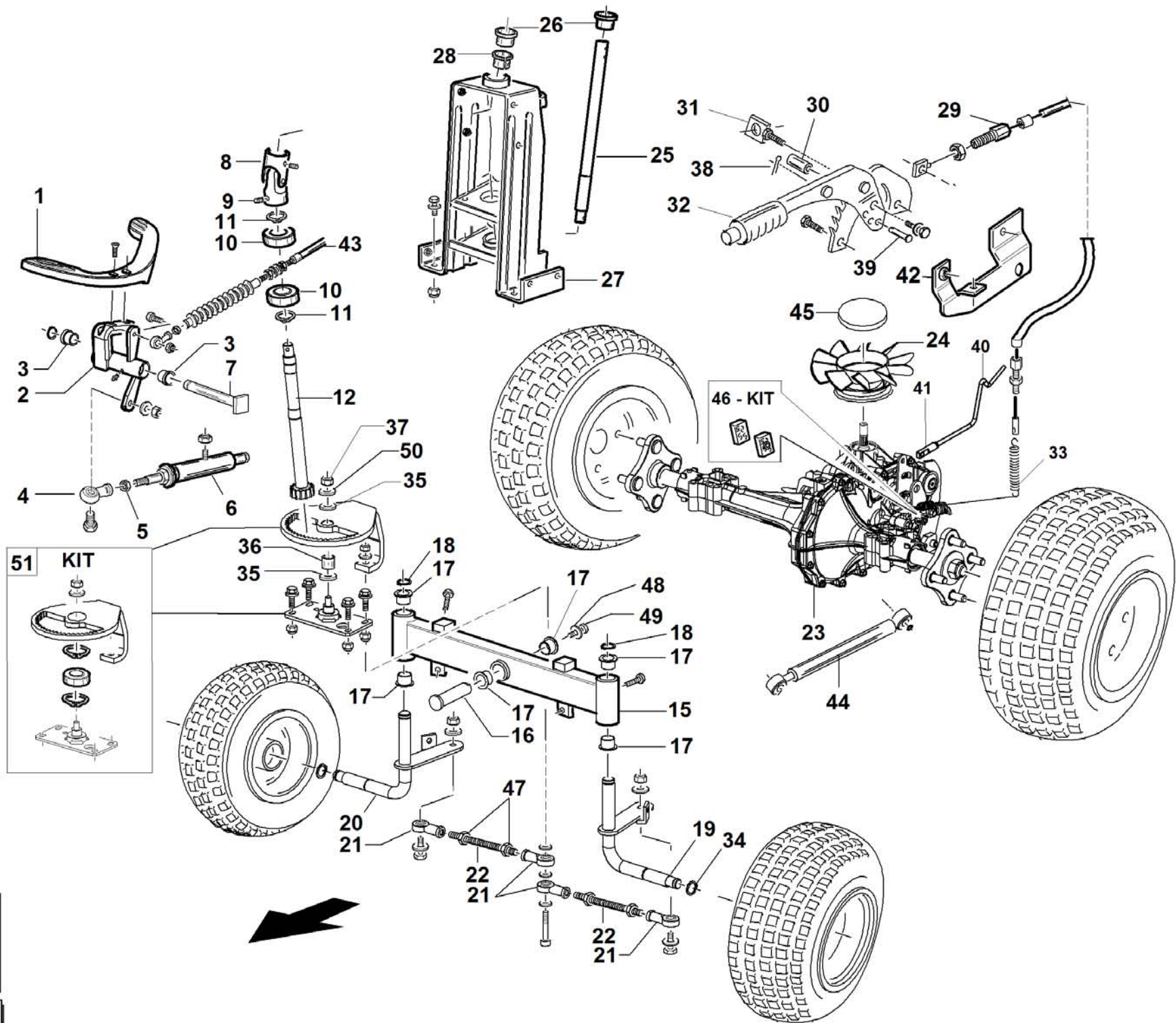
#	P/N	DESCRIPTION	GTM
1	89001250000	GTM MOWER DECK	
2	89001220008	DECK ATTACHMENT LEFT	
3	89001220009	DECK ATTACHMENT RIGHT	
4	00111970207	RAPID ATTACHMENT W/METAL RING	
5	00777180005	FORC CLIPS Ø10	
6	89001000019	CONNECTONG ROD	
7	89001000003	BRACKET	
8	89001170000	DECK FONT LIFTING FORK	
9	00777180004	FORK Ø10X40 (LONG)	
10	89001000015	ADJUSTEMENT ROD	
11	89001120000	DECK REAR LIFTING FORK	
12	00111000207	CLIPS PM 10x20 1	
13	89001000021	REGULATION HEXAGON	
14	00111970205	HANDGRIP	
15	89001140000	MOWER LIFTING LEVEL COMPL.	
16	00111920001	CLIP	
17	89001000034	PIN	
18	00111000094	SCREW TE M8X40	
19	00111450001	SCREW WASHER M8X25	
20	00111000061	WASHER 8.4X24X2	



S/N
→1301027

REF.08 - 00555501256

#	P/N	DESCRIPTION	GTM-GSM
1	95533000003	ACCELERATOR PEDAL	
2	89001320000	ACCELERATOR PEDAL SUPP. COMPL.	
3	95001000060	BRASS BUSHING	
4	00777200001	ROUND JOINT AS 13 M8	
5	00111000082	NUT M8	
6	95042230000	COMPLETE MECC. CYLINDER	
7	PZ95533430000	PEDAL SUPP. SHAFT	
8	00777200002	STEERING JOINT	
9	00111000147	PIN EL D.5X30	
10	00777100008	BEARING 6204 2RS 20x47x14	
11	00111000057	SNAP RING D.20 E	
12	89001160000	STEERING SHAFT	
13	89001530000	COMPLETE STEERING RACK	
14	89001350000	SUPPORT	
15	89001000018	FRONT AXLE	
16	91007000003	OVERTURNING PIN L=48	
17	00111990017	BUSHING WITH EDGE TFF 20/16,5	
18	00111650013	SNAP RING D.20X1,5 E	
19	89001180000	LEFT WHEEL SUPPORT	
20	89001190000	RIGHT WHEEL SUPPORT	
21	00777200027	ARTICULATION HEAD CF10 M10	
22	89001000014	TIE ROD STEERING	
23	89001000001	COMPACT AXLE	
24	89001000002	PLLEY WITH TRANSAXLE FAN	
25	89001000054		
26	95500000029	BUSHING STEERING	
27	94500260000	STEERING COLUMN	
28	00111990017	BUSHING WITH EDGE TFF 20/16,5	
29	89001000029	PARK BRAKE CABLE	
30	95002000004	HOPPER STOP PIN	
31	89001000013	FULL HOPPER MICROSWITCH SUPPORT	
32	00111990015	HAND BRAKE LEVER	
33	89001000030	TRACTION SPRING De=14.5 L=73	
34	00111650034	SNAP RING D.17 E	
37	00111250002	SELF BL. NUT M12	
38	00111750006	SPLIT PIN 1,6X20	
39	00777180006	PIN Ø8 L=20 UNI 1710	
40	89001000028	BY-PASS LEVER	
41	89001000039	EYELET M6 Ø6.7	
42	PZ95500390000	HAND BRAKE SUPPORT	
43	89001000012	FEED CABLE L=1405 C=60	
44	00777600177	DAMPER 400N (104 mm/s)	
45	00111970211	"ROUND PLAN CAP Ø3""	
46	95598620000	GTM/GSM AXLE BRAKE PAD	
47	00111150022	NUT M10	
48	00111000061	WASHER 8.4X24X2	
49	00111000081	SCREW TE M8X16	
50	00111000105	WASHER P.13X24X2,5	
51	00777100006	BEARING 6004 2RS 20X42X12	
52	00111650002	SNAP RING D.42 I	



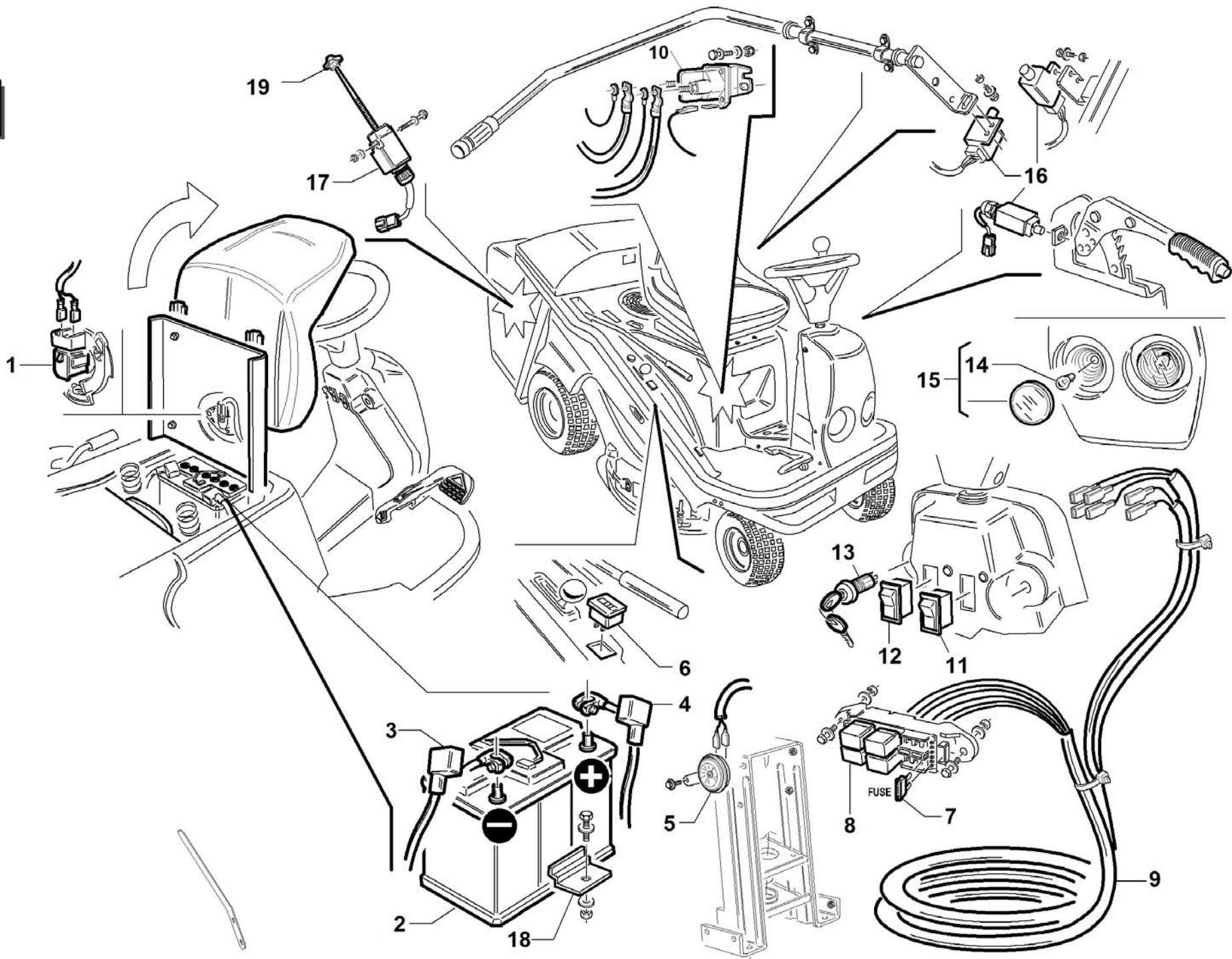
S/N

→ 0907001 ÷ 1212014 ←

REF.08 - 00555501608

1	95533000003	ACCELERATOR PEDAL		
2	89001320000	ACCELERATOR PEDAL SUPP. COMPL.		
3	95001000060	BRASS BUSHING		
4	00777200001	ROUND JOINT AS 13 M8		
5	00111000082	NUT M8		
6	95042230000	COMPLETE MECC. CYLINDER		
7	PZ95533430000	PEDAL SUPP. SHAFT		
8	00777200002	STEERING JOINT		
9	00111000147	PIN EL D.5X30		
10	00777100008	BEARING 6204 2RS 20x47x14		
11	00111000057	SNAP RING D.20 E		
12	89001160000	STEERING SHAFT		
15	89001000018	FRONT AXLE		
16	91007000003	OVERTURNING PIN L=48		
17	00111990017	BUSHING WITH EDGE TFF 20/16,5		
18	00111650013	SNAP RING D.20X1,5 E		
19	89001180000	LEFT WHEEL SUPPORT		
20	89001190000	RIGHT WHEEL SUPPORT		
21	00777200027	ARTICULATION HEAD CF10 M10		
22	89001000014	TIE ROD STEERING		
23	89001000001	COMPACT AXLE		
24	89001000002	PLLEY WITH TRANSAXLE FAN		
25	89001000054			
26	95500000029	BUSHING STEERING		
27	94500260000	STEERING COLUMN		
28	00111990017	BUSHING WITH EDGE TFF 20/16,5		
29	89001000029	PARK BRAKE CABLE		
30	95002000004	HOPPER STOP PIN		
31	89001000013	FULL HOPPER MICROSWITCH SUPPORT		
32	00111990015	HAND BRAKE LEVER		
33	89001000030	TRACTION SPRING De=14.5 L=73		
34	00111650034	SNAP RING D.17 E		
35	00111530012	THRUST RING FRIMET TFW 20/15		
36	00111530005	BUSHING FRIMET 18 20 10		
37	00111250002	SELF BL. NUT M12		
38	00111750006	SPLIT PIN 1,6X20		
39	00777180006	PIN Ø8 L=20 UNI 1710		
40	89001000028	BY-PASS LEVER		
41	89001000039	EYELET M6 Ø6.7		
42	PZ95500390000	HAND BRAKE SUPPORT		
43	89001000012	FEED CABLE L=1405 C=60		
44	00777600177	DAMPER 400N (104 mm/s)		
45	00111970211	"ROUND PLAN CAP Ø3""		
46	95598620000	GTM/GSM AXLE BRAKE PAD		
47	00111150022	NUT M10		
48	00111000061	WASHER 8.4X24X2		
49	00111000081	SCREW TE M8X16		
50	00111000105	WASHER P.13X24X2,5		
51	95598820000	GTM STEERING RACK KIT		

GTM-GSM

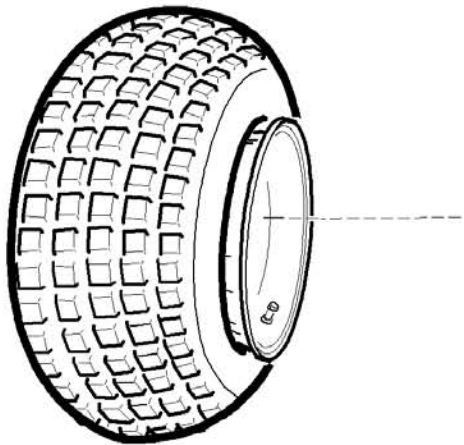
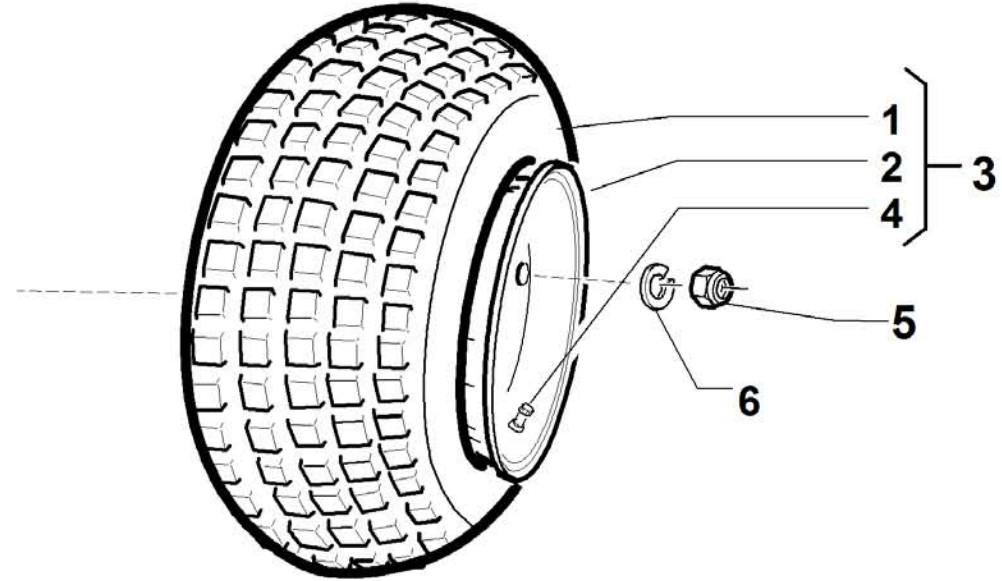


#	P/N	DESCRIPTION	GTM-GSM
1	00777800216	SEAT MICRO SWITCH	
2	95599000036	BATTERY 12V 43A	
3	89001500004	NEGATIVE BATTERY CABLE	
4	89001500003	POSITIVE BATTERY CABLE	
5	00777800022	HORN 12V	
6	00777800219	HOUR METER	
7	00777800214	"MICRO BLADE FUSE 20A	
8	00777800059	MICRO RELAYS 12V	
9	89001500001	GTM155/160 CENTRAL HARNESS	
10	00777800218	RELAIS B&S	
11	00777800221	CLUTCH SWITCH	
12	00777800220	LAMPS SWITCH	
13	00777800222	START SWITCH	
14	95599000021	LAMP WITH SUPPORT	
15	00777800137	PROJECTOR	
16	00777800223	FULL HOPPER MICRO SWITCH	
17	91002140007	MULTI-PURPOSE WIRED MICRO SWITCH	
18	94500000079	BRACKET FIXING BATTERY	
19	00111970042	FEMALE KNOB THB20M4	

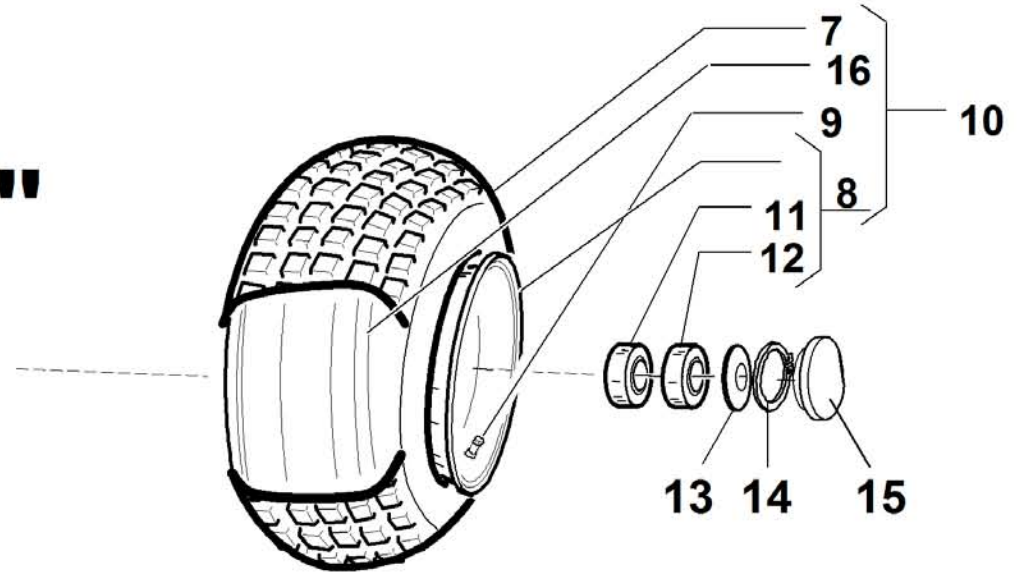
GTM-GSM



16"



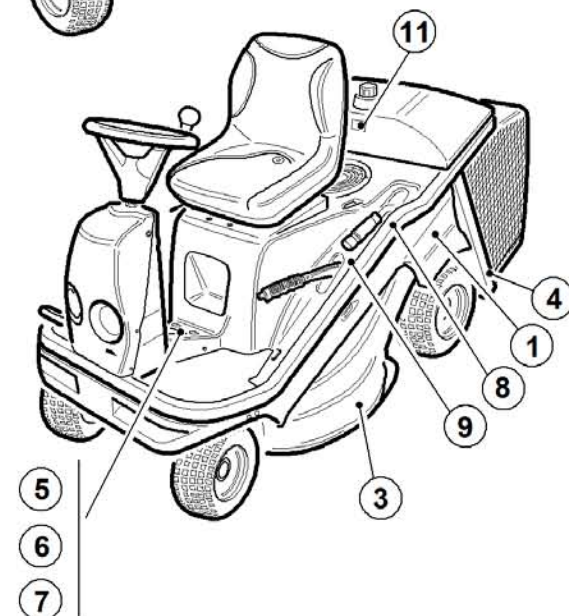
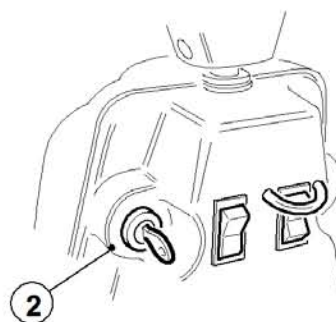
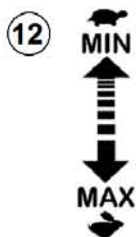
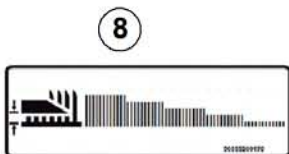
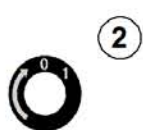
13"



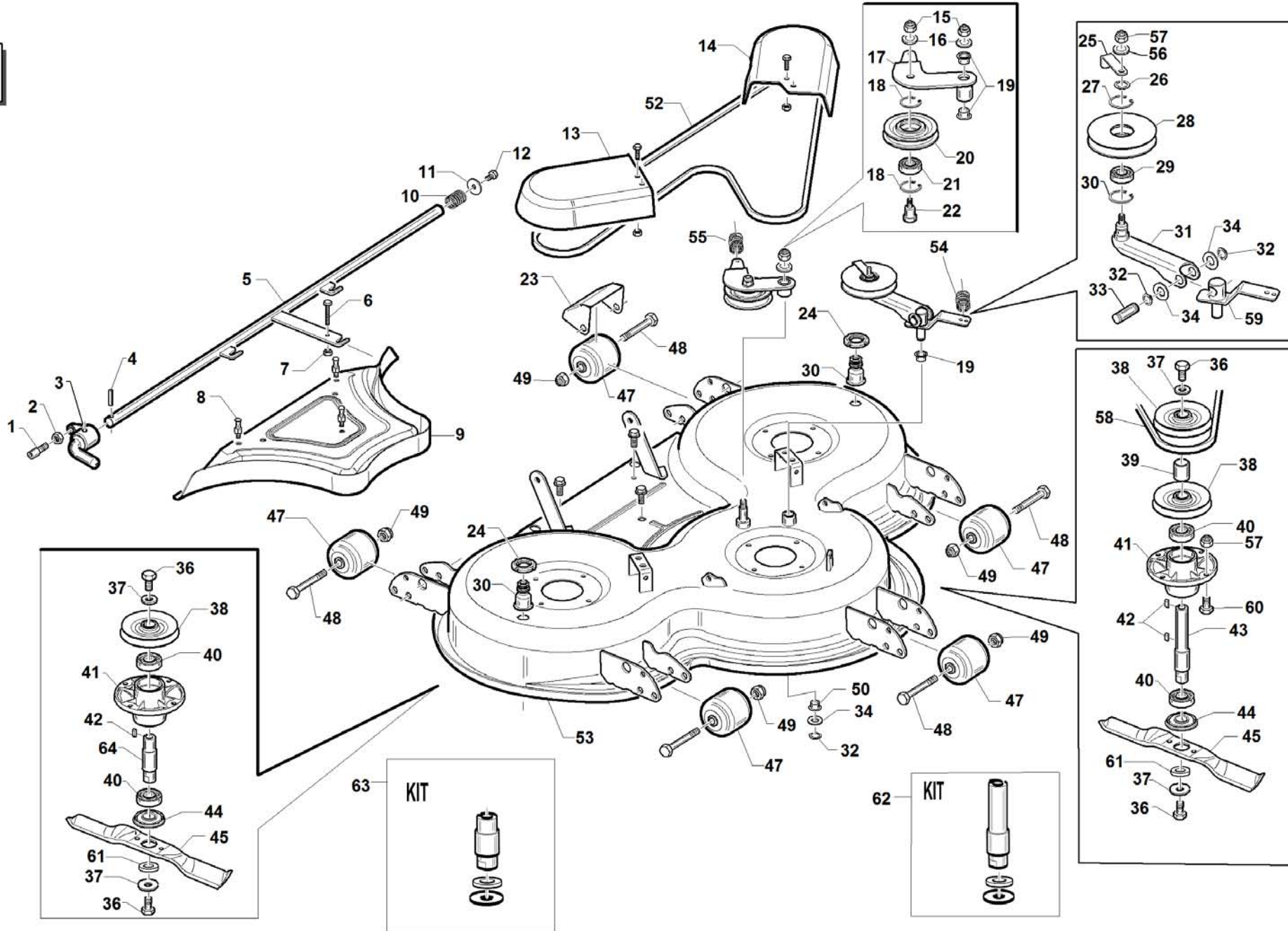
#	P/N	DESCRIPTION	GTM-GSM
---	-----	-------------	---------

1	00111940029	"KING TYRE 16X7.50-8	
2	89001240001	"WHEEL RIM 5.75x8""	
3	89001240000	WHEEL 16x7.50-8	
4	00111930006	TUBELESS VALVE TR413	
5	00111250009	SELF BL. NUT M12X1.5	
6	00111550004	ELASTIC WASHER M12	
7	00111940014	TYRE 13X5.00-6	
8	92003110001	"WHEEL RIM 3.75X6""	
9	00111930006	TUBELESS VALVE TR413	
10	92003110000	WHEEL 13X5.00-6	
11	00777100008	BEARING 6204 2RS 20x47x14	
12	00777100028	KOYO BEARING 6303 2RS	
13	95303110004	SPACER D14.5XD35X3	
14	00111650013	SNAP RING D.20X1,5 E	
15	00111970214		
16	00111930001	INNER TUBE 140-6 TR 87	

GTM-GSM



#	P/N	DESCRIPTION	GTM-GSM
1	00555200240	"TRANSF.PRINTING ""GIANNI FERRARI"""	
2	00555200013	TRANSFER PRINTING START	
3	00555200234	TRANSFER PRINTING GTM DECK	
4	00555200239	TR.PRINTING BY-PASS	
5	00555200130	TRANSFER PRINTING EYE PROTECTION	
6	00555200129	TRANSFER PRINT.HEARING PROTEC.	
7	00555200233	DANGER TRANSFGER PRINTING GTM	
8	00555200170	TRANSFER PRINT.CUTTING HEIGHT ADJ.	
9	00555200241	"TR.PRINTING ""PARKING BRAKE"""	
10	00555200238	TR.PRINTING OVERTURNING ARM	
11	00555200163	""PETROL"" FUEL TRANSFER PRINTING"	
12	00555200237	TR.PRINTING MIN-MAX STARTER	
13	00555200231	"TRANSFER PRINTING ""GTM 155"""	
14	00555200230	"TRANSFER PRINTING ""GTM 160"""	



#	P/N	DESCRIPTION	GSM
1	95220110004	CAMSHAFT SELCTOR SCREW	
2	00111150012	NUT M12	
3	95220110003	CAM SELECTOR WITH HANDLE	
4	00111700012	ELASTIC PIN 8X36	
5	88100100000		
6	00111300011	SCREW TE M6X20	
7	00111000155	NUT M6	
8	88100000001		
9	88001110000		
10	95220110005	SPRING D=20.7 L=51.5	
11	00111000132	WASHER P. 8,4X32X2,5 ZNT	
12	00111000081	SCREW TE M8X16	
13	88001000013	CARTER SX PIATTO	
14	88001000012	CARTER DX PIATTO	
15	00111250004	SELF BL. NUT M10	
16	00111000015	WASHER D.10,5X21X2	
17	88001180000		
18	00111650005	SNAP RING D.35 I	
19	00111530006	BUSHING 15X17X12	
20	94500000011	HYDROSTATIC TIGHTENER	
21	00777100005	KOYO BEARING 6202 2RS	
22	88001000008	PERNO TENDITORE PIATTO ZNT	
23	88001000018		
24	00111000189	METAL RING 20X1	
25	89001220001	BELT ANGULAR	
26	00111650014	SNAP RING D.17 E	
27	00111650005	SNAP RING D.35 I	
28	92001000016	BELT TIGHTENER	
29	00777100032	KOYO BEARING 6003 2RS 17X35X10	
30	88001000019	RAPID ATTACHMENT W/METAL RING	
31	88001150000		
32	00111650004	SNAP RING D.15 E	
33	89001220005	ROTATION PIN FOR TIGHTENER	
34	00111500004	WASHER 15,2X28X2.5	
35	00111650004	SNAP RING D.15 E	
36	00111000212	SPRING	
37	00111550011	ROSETTA CONICA ELASTICA UNI8837 14X4 GEO	
38	88001000014	PULEGGIA ALBERO LAMA ZNT	
39	88001000011	SPACER	
40	00777100001	KOYO BEARING 6205 2RS	
41	89001000055	HUB	
42	00111900006	TONGUE A 6X6X18	
43	88001000015	SHAFT CUTTER BLOCK	
44	88001000010	BLADE HUB	
45	88001000005	CUTTING BLADE	
47	00111970082	NO SCALPING WHEEL	
48	00111300063	SCREW TE M12X115	
49	00111250002	SELF BL. NUT M12	
50	00111530006	BUSHING 15X17X12	
52	00111980044	OPTIBELT VB A/13 2136Li BELT	
53	88001100000		
54	95001000054	BRAKE RECOVERY SPRING	
55	88001000020	BELT-TIGHTENER SPRING	
56	00111000087	WASHER P.8,4X15.6X1,5	
57	00111000071	SELF BLO. NUT M8	
58	00111980043	OPTIBELT SPA 1482 BELT	
59	TS88001160000		
60	00111340006	SCREW	
61	00111000149	WASHER P.14X48X4	

#	P/N	DESCRIPTION	GSM	REF. 12 - 00555501614
62	95597080000			
63	95597090000			
64	88001000009	SHAFT CUTTER BLOCK		

www.gianniferrari.com

Advanced grounds care solutions

COMPANY
WITH QUALITY MANAGEMENT
SYSTEM CERTIFIED BY DNV
=ISO 9001 : 2000=



**Gianni
Ferrari**

GIANNI FERRARI S.r.l.

Via Vespucci ,53 (z.ind. Ranaro)
42046 Reggiolo (Reggio Emilia) Italy
Tel. +39.0522.973697 - Fax +39.0522.973707
e-mail: info@gianniferrari.com



OFFICINE BIEFFEBI S.p.A.

Via dell'Artigianato ,7
46023 Gonzaga (Mantova) Italy
Tel. +39.0376.52641 - Fax +39.0376.588270
e-mail: bieffebi@gianniferrari.com

Cod. 00555501600